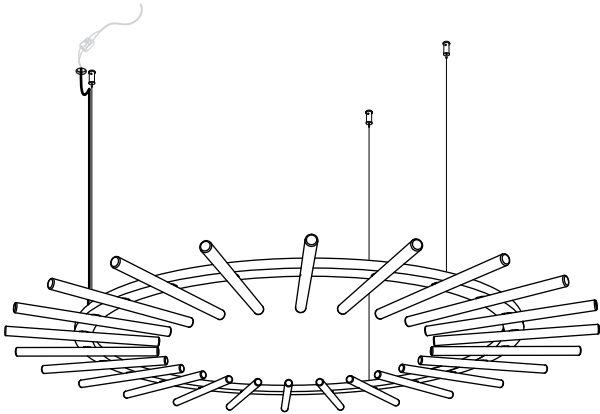


KOMOREBI installation manual

Komorebi Suspension & Canopies	Page 1
Komorebi Assembly	Page 2
Installation Komorebi	Page 3
Wall mounting Komorebi	Page 8
JSPR Canopy installation & use	Page 9
JSPR Suspension Cable fasteners installation & use	Page 10
Suspension measurements	Page 12

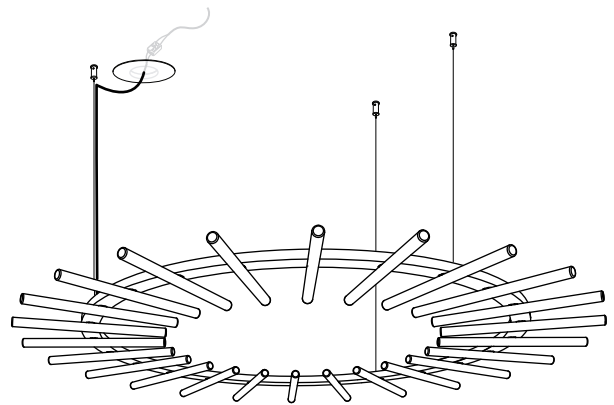
CONTACT

JSPR
T +31 (0) 402692111
INFO@JSPR.EU
WWW.JSPR.EU



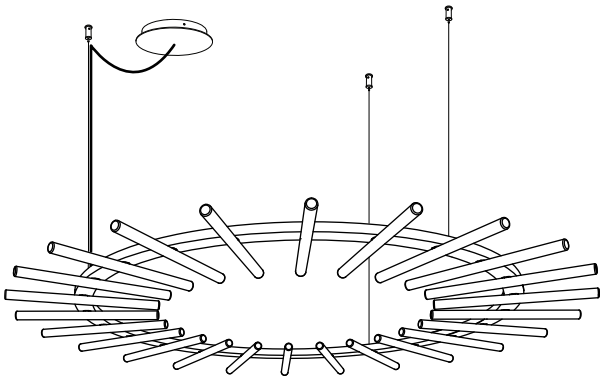
Suspension set

(included)



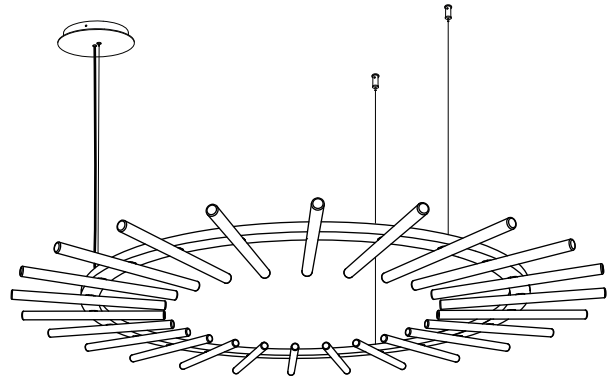
Canopy flat

sold separately - see price list



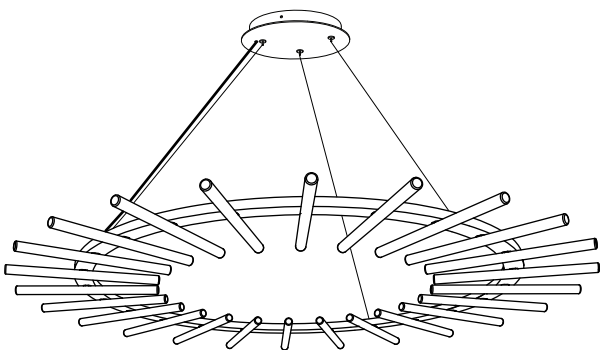
Canopy S | Canopy L

sold separately - see price list



Canopy S 1point | Canopy L 1point

sold separately - see price list



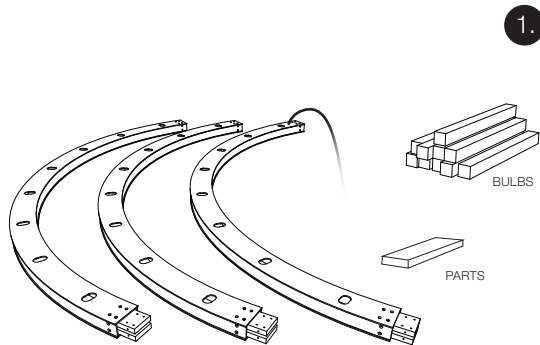
Canopy S 3point | Canopy L 3point

sold separately - see price list

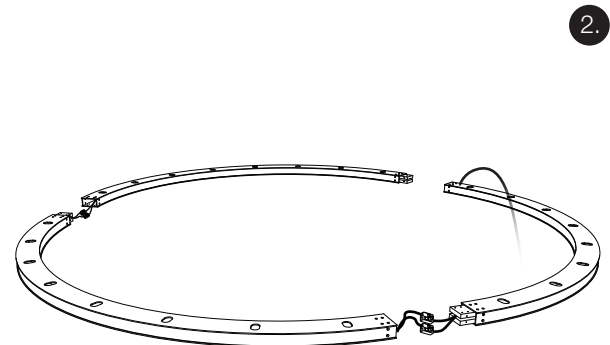
CONTACT

JSPR
T +31 (0) 402692111
INFO@JSPR.EU
WWW.JSPR.EU

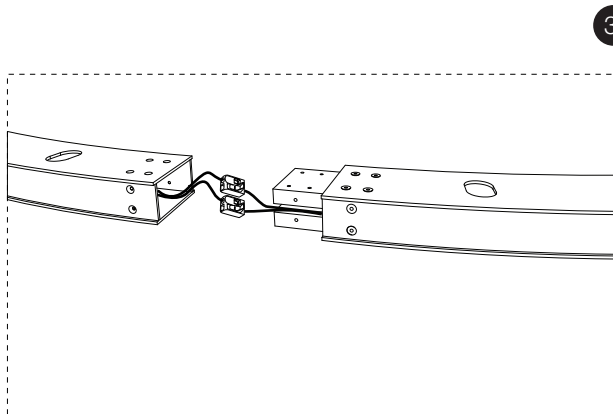
Some fixture sizes require assembly of the main body. All parts are provided, tools by client. The assembly should be carried out by a qualified person, due to the fact that wrong assembly can lead to that the lighting fixture topples or falls resulting in personal injury or damage.



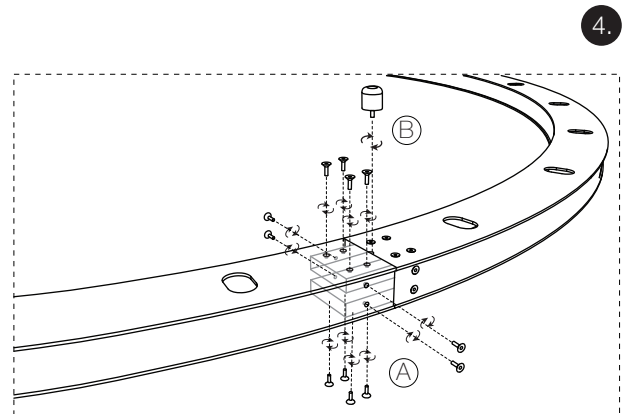
Prepare a soft clean workspace to assemble the light fixture. Carefully unpack the light fixture and other contents. Custom Komorebi lights consist of 3 or more parts. Assembly steps for all fixtures are the same.



Align all sections in a circle starting with the first section that has the main electricity cable.



Connect each sections electricity cables with a connector clip provided in the light fixture. Connect the electricity cable by matching cable colors.



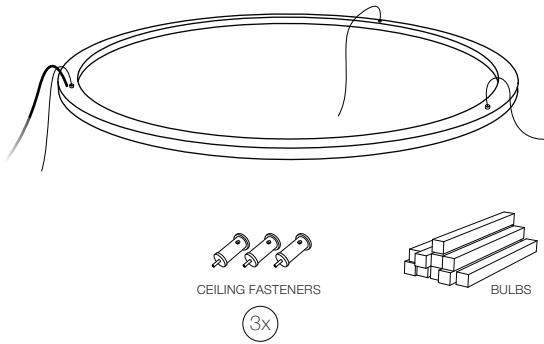
After connecting all electricity cables carefully slide all sections together and proceed with fixing the sections with provided screws (A). Afterwards screw all 3 (or more depending on lamp size) suspension cable fasteners in the connected points (B).

Proceed to the next pages for installation options.

CONTACT

JSPR
 T +31 (0) 402692111
 INFO@JSPR.EU
 WWW.JSPR.EU

1.

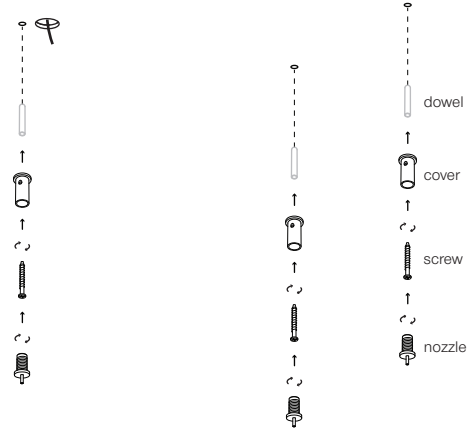


Carefully unpack the light fixture on a soft clean surface. Set includes 3x JSPR ceiling fasteners (included).

Uncoil the suspension cables and electric cable. Take cable fasteners apart. Dowels and screws not included (must be selected depending on ceiling material and construction).

*Contact our support team to advise for best solutions for this application.

2.

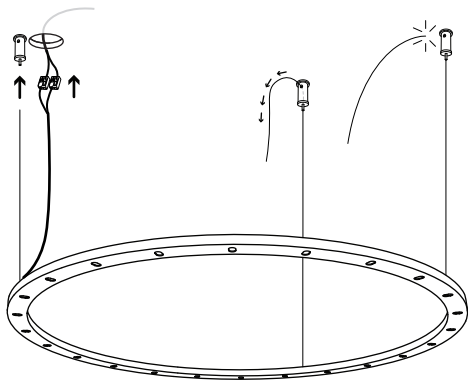


Mark and drill holes in the ceiling based on lamp measurements. Attach JSPR suspension cable fasteners positioning one near the built-in ceiling opening.

Insert dowels (by client) and guide screws (by client) through the cover part into the dowels. Fasten screws tightly. Screw in the nozzle of the fastener.

NOTE: Installation and use of our ceiling suspension cable fasteners is enclosed in this document.

3.



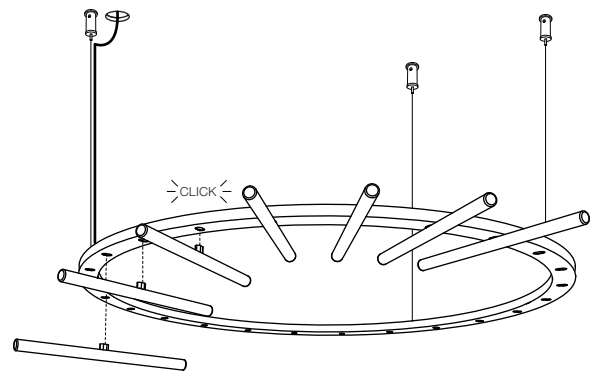
Guide the suspension cables through the fasteners. Keep adjusting the suspension cables to reach desired height and level.

Detailed description of the use of JSPR ceiling fasteners is enclosed in this document.

Connect the fixtures electric cables using wire connectors.

Trim any excess suspension cable.

4.



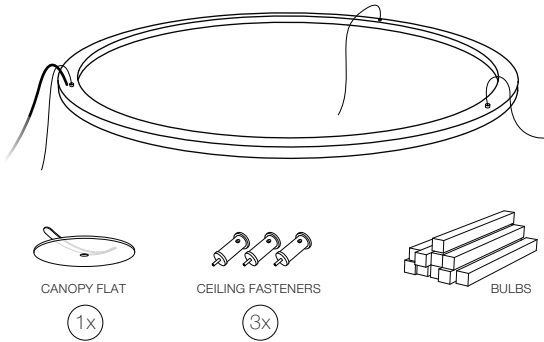
Once the fixture is securely fastened and desired position is achieved, proceed with clicking in the glass bulbs.

Advised to use gloves or thoroughly wash hands to avoid leaving finger prints and stains on glass.

CONTACT

JSPR
T +31 (0) 402692111
INFO@JSPR.EU
WWW.JSPR.EU

1.

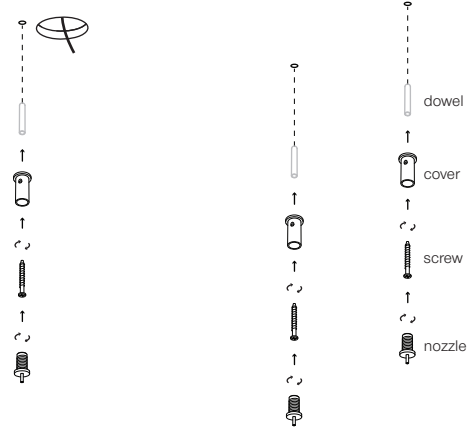


Carefully unpack the light fixture on a soft clean surface. Set includes canopy and 3x JSPR ceiling fasteners.

Uncoil the suspension cables and electric cable. Take cable fasteners apart. Dowels and screws not included (must be selected depending on ceiling material and construction).

*Contact our support team to advise for best solutions for this application.

2.

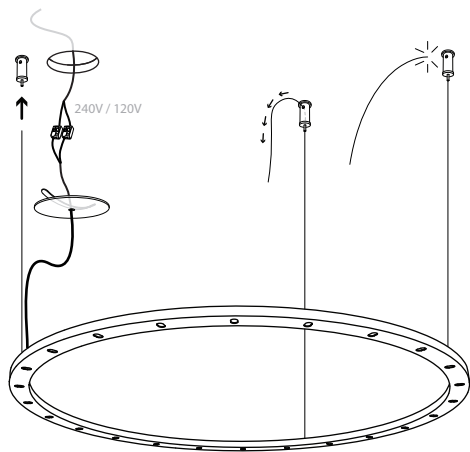


Mark and drill holes in the ceiling based on lamp measurements. Attach JSPR suspension cable fasteners positioning one near the built-in ceiling opening.

Insert dowels (by client) and guide screws (by client) through the cover part into the dowels. Fasten screws tightly. Screw in the nozzle of the fastener.

NOTE: Installation and use of our ceiling suspension cable fasteners is enclosed in this document.

3.



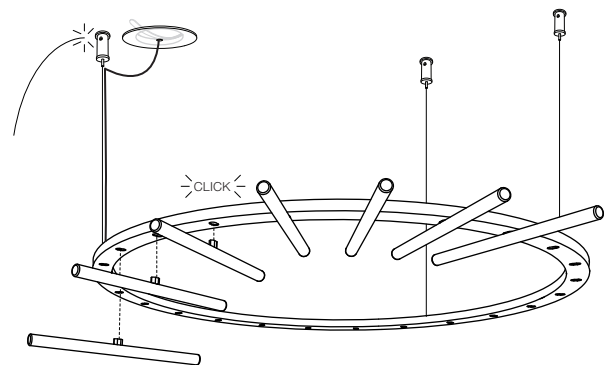
Guide the suspension cables through the premounted fasteners. Keep adjusting the suspension cables to reach desired height and level.

Detailed description of the use of JSPR ceiling fasteners is enclosed in this document.

Connect the fixtures electric cables using wire connectors.

Trim any excess suspension cable.

4.



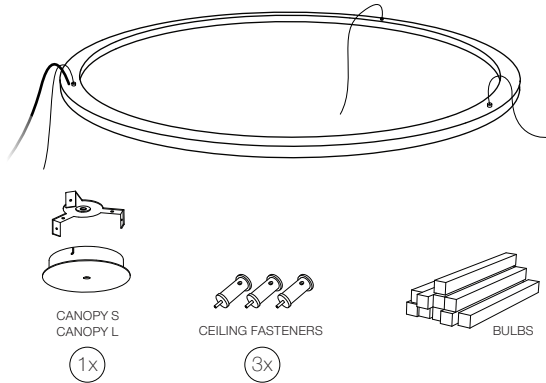
Once the fixture is securely fastened and desired position is achieved proceed with clicking in the glass bulbs.

Advised to use gloves or thoroughly wash hands to avoid leaving finger prints and stains on glass.

CONTACT

JSPR
T +31 (0) 402692111
INFO@JSPR.EU
WWW.JSPR.EU

1.

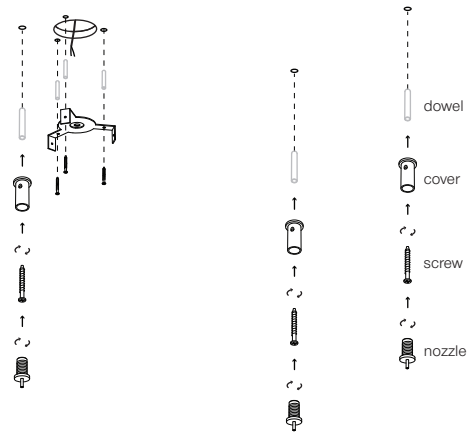


Carefully unpack the light fixture on a soft clean surface. Set includes canopy and 3x JSPR ceiling fasteners.

Uncoil the suspension cables and electric cable. Take cable fasteners apart. Dowels and screws not included (must be selected depending on ceiling material and construction).

*Contact our support team to advise for best solutions for this application.

2.

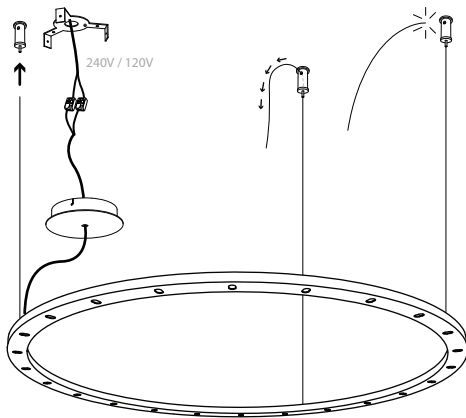


Mark and drill holes in the ceiling based on lamp measurements. Attach JSPR suspension cable fasteners positioning one near the built-in ceiling opening.

Insert dowels (by client) and guide screws (by client) through the cover part into the dowels. Fasten screws tightly. Screw in the nozzle of the fastener.

NOTE: Installation and use of our ceiling suspension cable fasteners is enclosed in this document.

3.



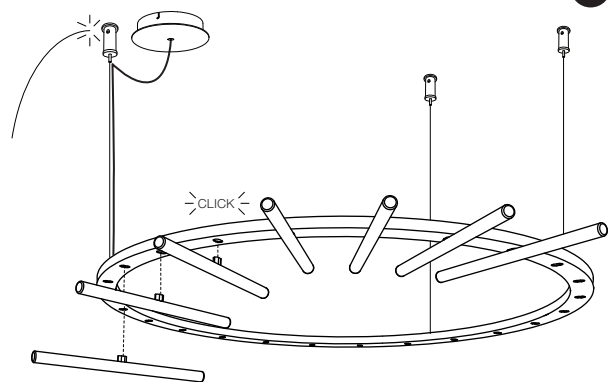
Guide the suspension cables through the pre-mounted fasteners. Keep adjusting the suspension cables to reach desired height and level.

Detailed description of the use of JSPR ceiling fasteners is enclosed in this document.

Connect the fixtures electric cables using wire connectors.

Trim any excess suspension cable.

4.



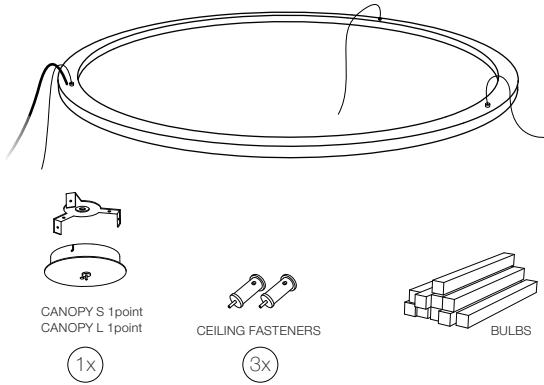
Once the fixture is securely fastened and desired position is achieved proceed with clicking in the glass bulbs.

Advised to use gloves or thoroughly wash hands to avoid leaving finger prints and stains on glass.

CONTACT

JSPR
T +31 (0) 402692111
INFO@JSPR.EU
WWW.JSPR.EU

1.

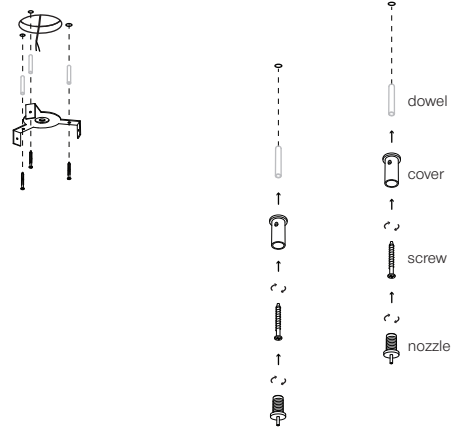


Carefully unpack the light fixture on a soft clean surface. Set includes canopy and 3x JSPR ceiling fasteners.

Uncoil the suspension cables and electric cable. Take cable fasteners apart. Dowels and screws not included (must be selected depending on ceiling material and construction).

*Contact our support team to advise for best solutions for this application.

2.

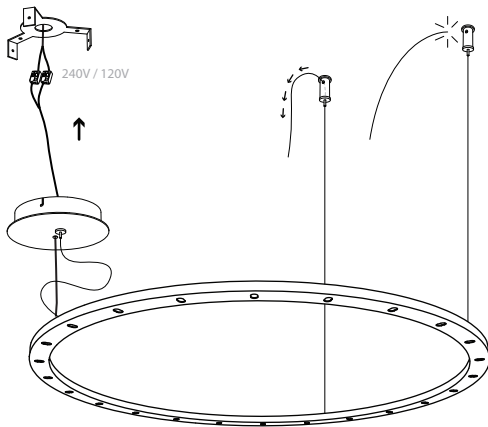


Mark and drill holes in the ceiling based on lamp measurements. Attach JSPR suspension cable fasteners positioning one near the built-in ceiling opening.

Insert dowels (by client) and guide screws (by client) through the cover part into the dowels. Fasten screws tightly. Screw in the nozzle of the fastener.

NOTE: Installation and use of our ceiling suspension cable fasteners is enclosed in this document.

3.



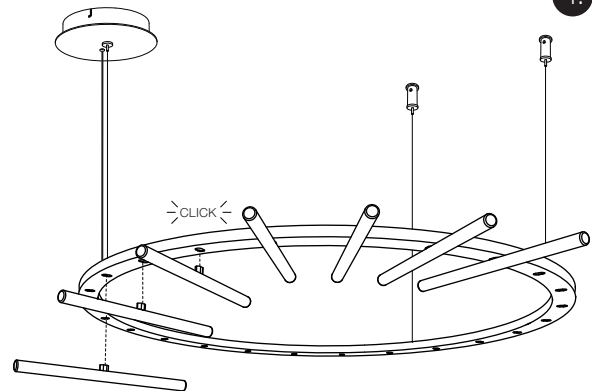
Guide the suspension cables through the pre-mounted fasteners. Keep adjusting the suspension cables to reach desired height and level.

Detailed description of the use of JSPR ceiling fasteners is enclosed in this document.

Connect the fixtures electric cables using wire connectors.

Trim any excess suspension cable.

4.



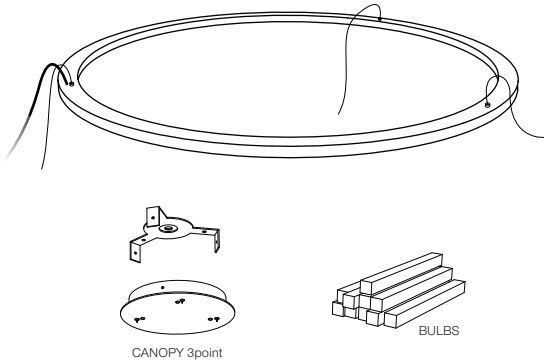
Once the fixture is securely fastened and desired position is achieved proceed with clicking in the glass bulbs.

Advised to use gloves or thoroughly wash hands to avoid leaving finger prints and stains on glass.

CONTACT

JSPR
T +31 (0) 402692111
INFO@JSPR.EU
WWW.JSPR.EU

1.

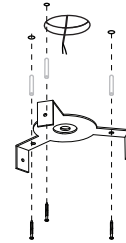


Carefully unpack the light fixture on a soft clean surface. Set includes canopy and 3x JSPR ceiling fasteners.

Uncoil the suspension cables and electric cable. Take cable fasteners apart. Dowels and screws not included (must be selected depending on ceiling material and construction).

*Contact our support team to advise for best solutions for this application.

2.

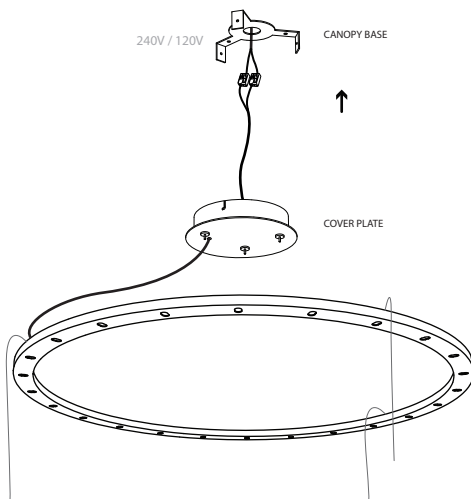


Mark and drill holes in the ceiling based on lamp measurements. Attach JSPR suspension cable fasteners positioning one near the built-in ceiling opening.

Insert dowels (by client) and guide screws (by client) through the cover part into the dowels. Fasten screws tightly. Screw in the nozzle of the fastener.

NOTE: Installation and use of our ceiling suspension cable fasteners is enclosed in this document.

3.

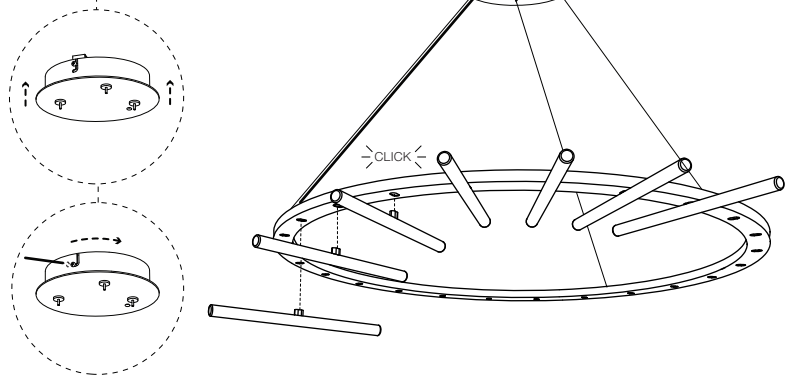


Guide the electric wire through the canopy, connect fixtures electricity wire to the house electric wire using wire connectors. Fix the canopy cover plate to the premounted base and guide suspension cables through canopy suspension fasteners. Keep adjusting the suspension cables to reach desired height and level.

Detailed description of the use of JSPR canopy fasteners is enclosed in this document.

Trim any excess suspension cable.

4.



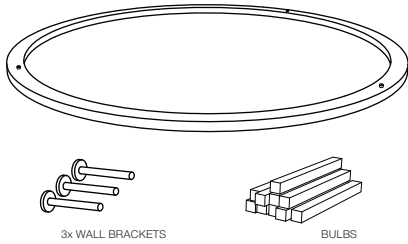
Once the fixture is securely fastened and desired position is achieved proceed with clicking in the glass bulbs.

Advised to use gloves or thoroughly wash hands to avoid leaving finger prints and stains on glass.

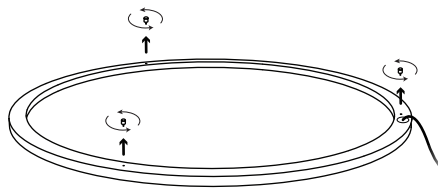
CONTACT

JSPR
T +31 (0) 402692111
INFO@JSPR.EU
WWW.JSPR.EU

KOMOREBI

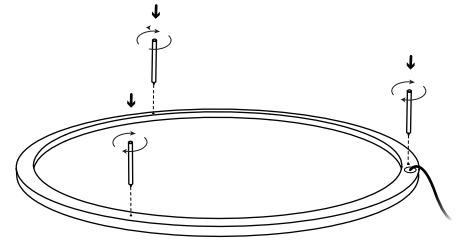


Carefully unpack the light fixture on a soft clean surface. Set includes bulbs and 3x JSPR wall/ceiling brackets.

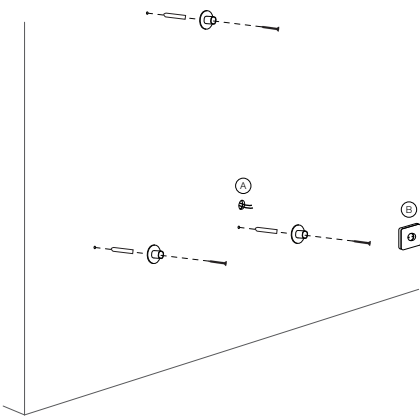


Carefully place the light fixture on a soft surface. Locate the suspension cable fasteners on the light and remove them by unscrewing each one.

WALL MOUNTING

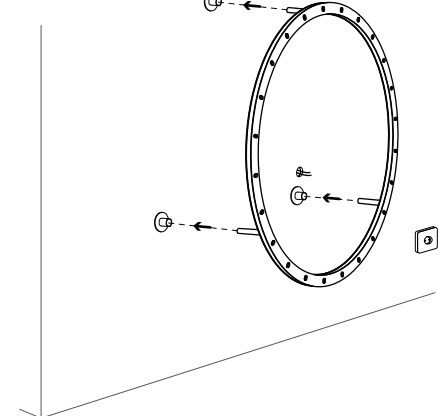


Screw in the wall brackets in the same slots as the cable fasteners were. Fix them tightly to the fixture.

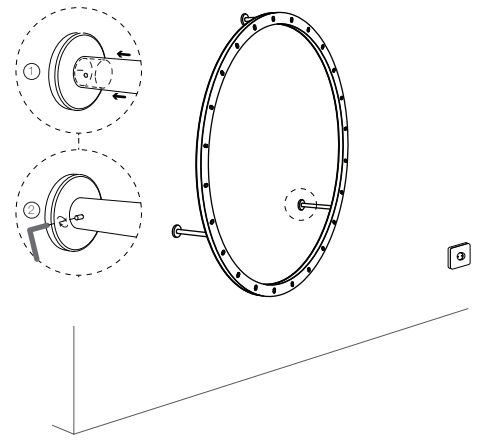


Decide the electric wire usage, built-in or power plug (A or B options). This will determine the exit of the house electric wire or location to socket.

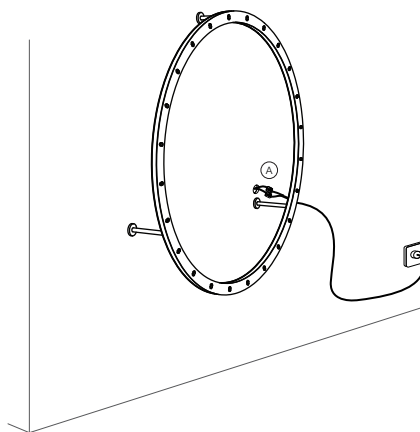
Mark and drill holes in the wall based on lamp measurements. Attach the bracket bases to the wall using dowels and screws (by client).



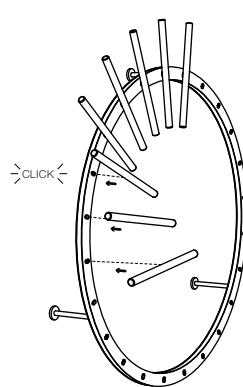
Align the pre assembled light fixture with wall brackets to the bracket bases fixed on the wall.



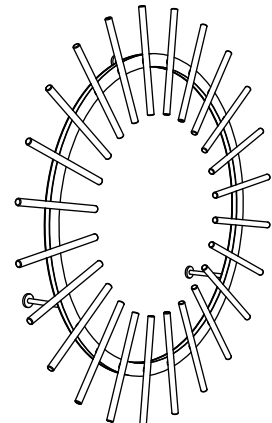
Push the brackets in the bases and secure the brackets to the pre assembled bracket bases using a hexkey through a special slot on each bracket.



Connect the light fixture to the desired power supply.

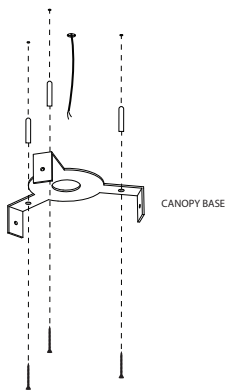


Once the fixture is securely fastened proceed with clicking in the glass bulbs.



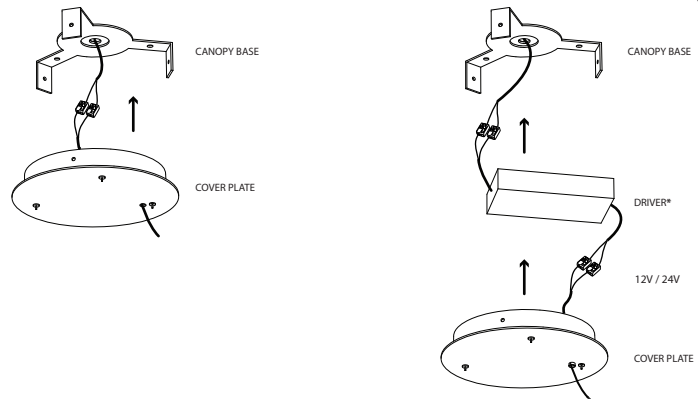
Advised to use gloves to avoid leaving finger prints and stains.

1.



Mark holes in the ceiling based on canopy measurements. Attach canopy base plate using screws and plugs (by client).

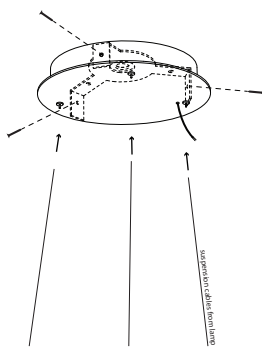
2.



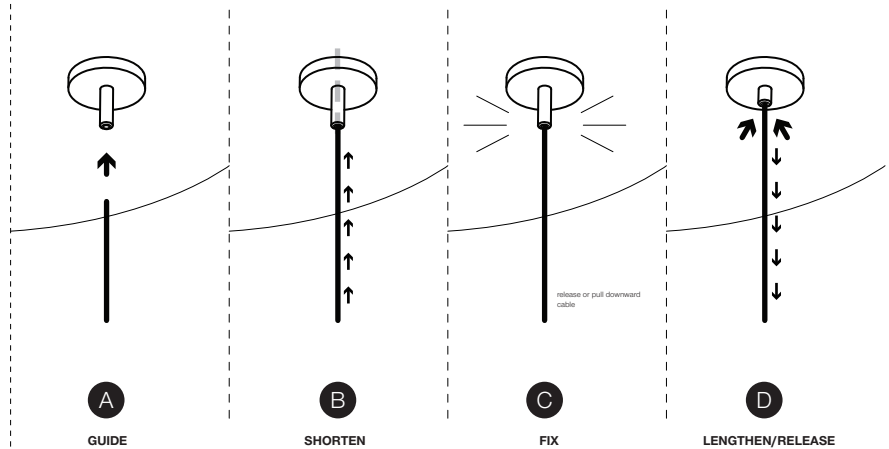
ASSEMBLY WITHOUT DRIVER
Pull through cover plate the house electricity wire or connect the lamps electric wire (through cover plate) to the house electricity wire.

ASSEMBLY WITH DRIVER*
Connect the transformer/driver (220V/110V to 24V*) to the house electric wire. Pull the low voltage wire coming from the fixture through the canopy cover plate and connect.
*depending on lamp

3.



Fix cover plate to the base plate with three included screws. Once tightly fixed proceed to hanging the lamp by guiding the lamps suspension cables through the little nozzles.



GUIDING THE CABLE (Steps A; B; C)

Guide the support cable through the tinny nozzle (A & B). Once reached the desired length of the cable let it go or pull the cable downwards and the fastener will automatically lock (C).

EXTENDING THE CABLE (Step D)

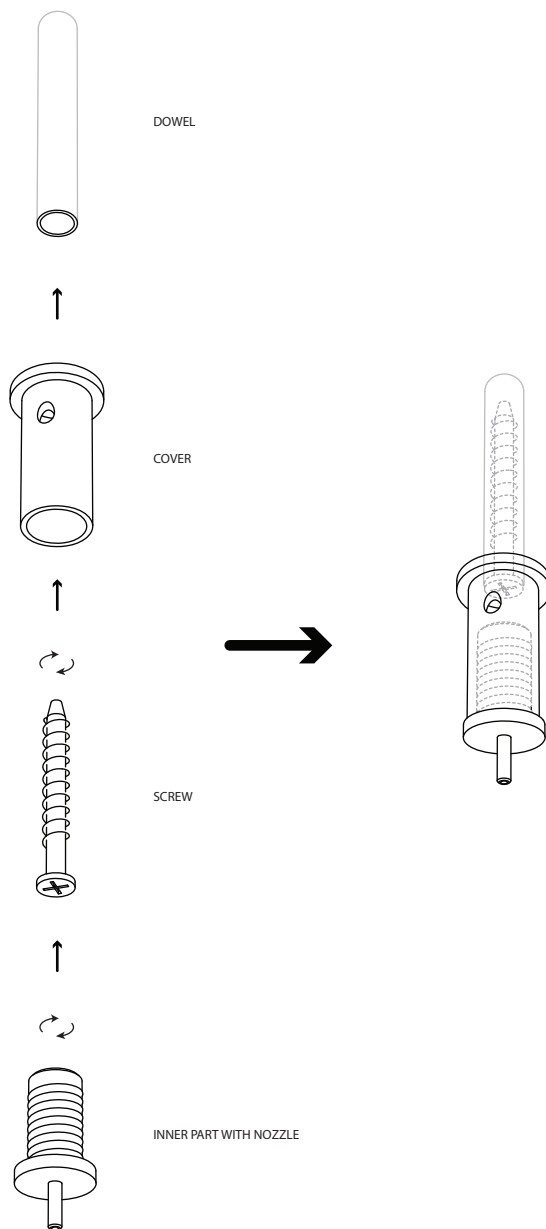
To extend the cable, push the little nozzle upwards/inside. The cable will loosen and allow to be pulled out. To lock position - release the nozzle and the fastener will automatically lock the cable (Step C).

CONTACT

JSPR
T +31 (0) 402692111
INFO@JSPR.EU
WWW.JSPR.EU

+

+

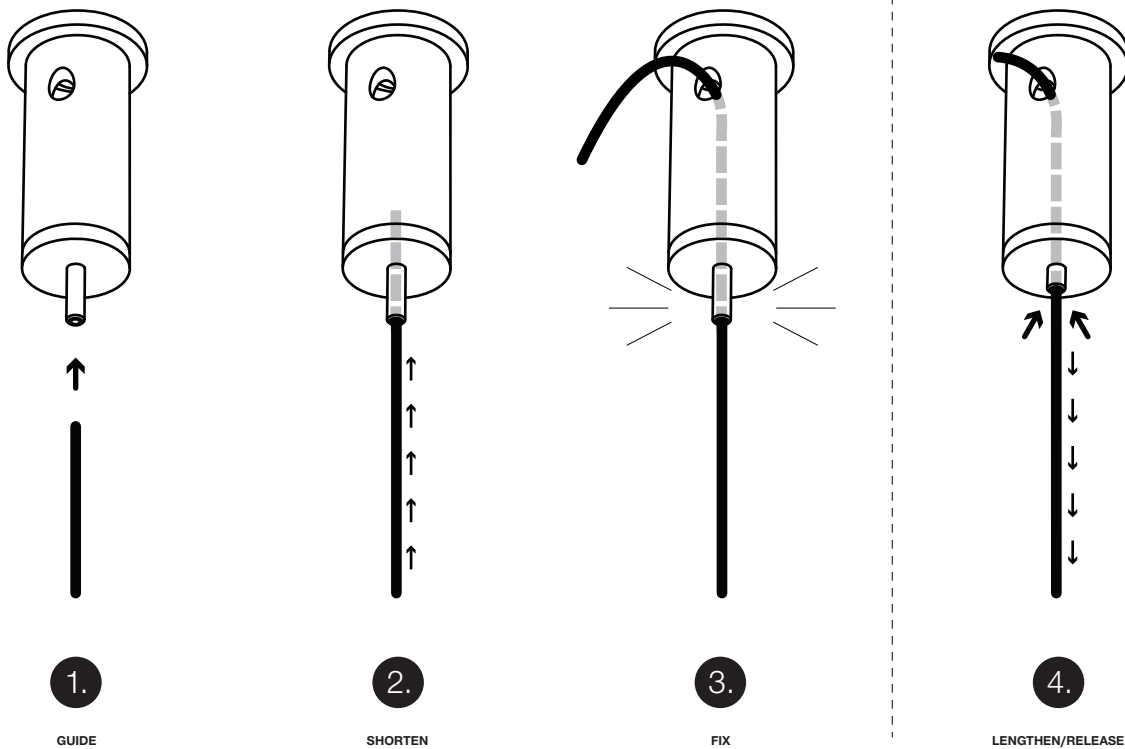


Drill hole in the desired location in the ceiling, place a dowel in the hole (dowel and screw by client). Fasten the cover of the cable fastener with a screw by guiding it through the cover into the dowel. Once the cover is fastened screw in the inner part of the cable fastener.

Proceed to the next page of this manual for information on using this cable fastener.

CONTACT

JSPR
T +31 (0) 402692111
INFO@JSPR.EU
WWW.JSPR.EU



GUIDING THE CABLE (Steps 1 - 3)

Once the cable fasteners are securely attached to the ceiling, guide the support cable through the tinny nozzle (1 & 2). Once reached the desired length of the cable let it go or pull cable downwards and the cable fastener will automatically lock (3).

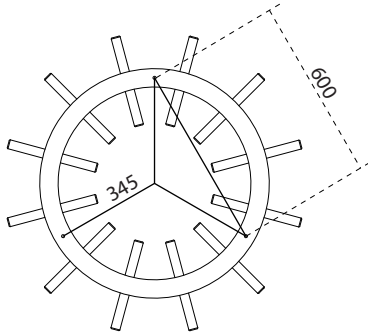
EXTENDING THE CABLE (Step 4)

To extend the cable, push the little nozzle upwards/inside, the cable will loosen and allow to be pulled out. To fix release the nozzle and the fastener will automatically lock the cable.

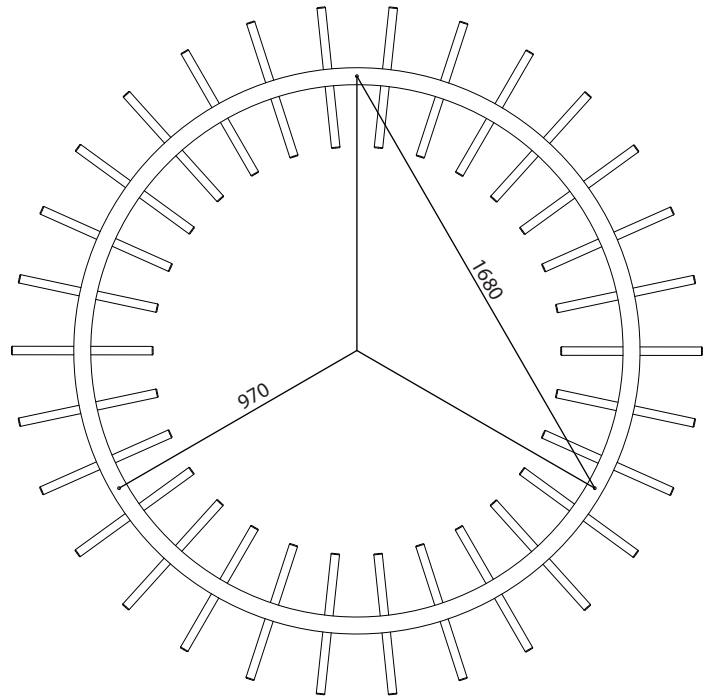
After achieving desired length of the lighting fixture trim any excess cables.

CONTACT

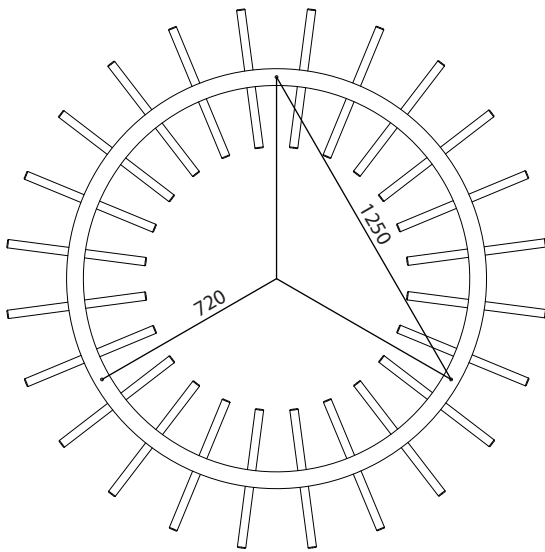
JSPR
 T +31 (0) 402692111
 INFO@JSPR.EU
 WWW.JSPR.EU



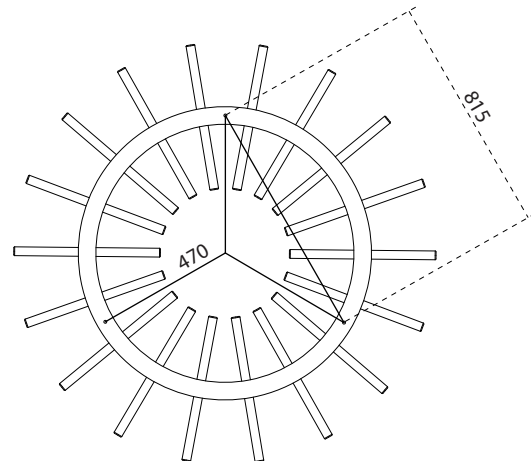
KOMOREBI Extra small



KOMOREBI Large



KOMOREBI Medium



KOMOREBI Small

CONTACT

JSPR
T +31 (0) 402692111
INFO@JSPR.EU
WWW.JSPR.EU

+

+