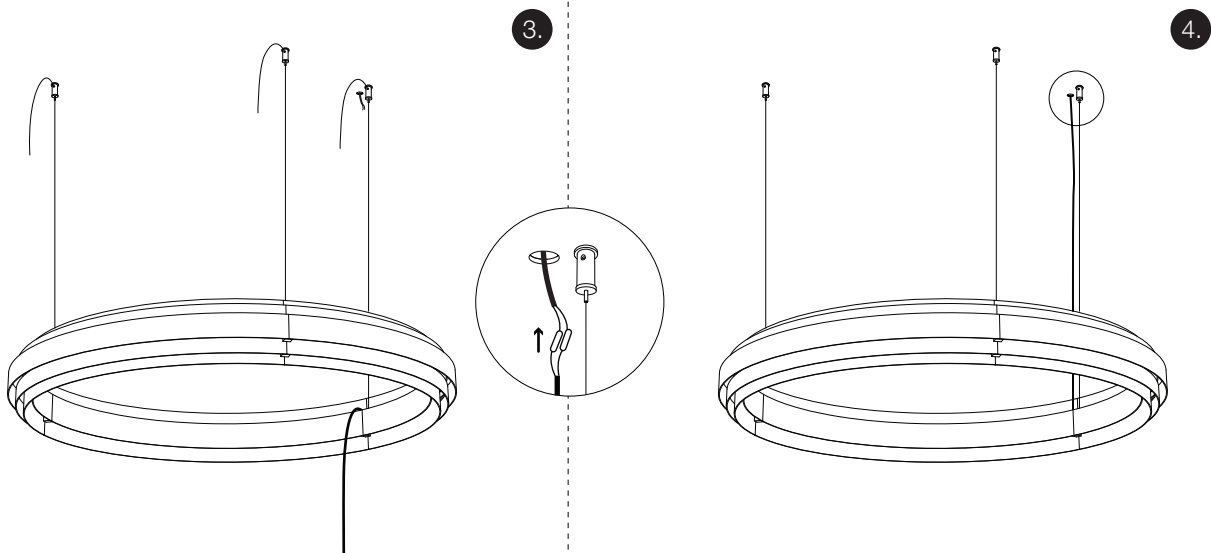


Connect the house wire (220V / 110V) to the transformer. Mark and drill holes in the ceiling based on lamp measurements. Attach suspension cable fasteners and pull through low voltage wire (24V) near one of the fasteners. For more information how to mount and use our fasteners have a look at the end of this document.

Carefully unwrap the lamp. Locate the 3 cable fasteners on the top of the lamp. Uncoil the provided suspension cables and guide them through the **top** of each fastener (**A**). Fasten the cable using a hex key (**B**).

NOTE: Make sure to tighten the fasteners very well to avoid any damage. Trim any excess cables.



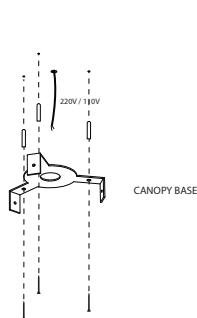
Guide the lamps suspension cables through the pre-mounted ceiling fasteners until the desired length is achieved.

Trim any excess cables.

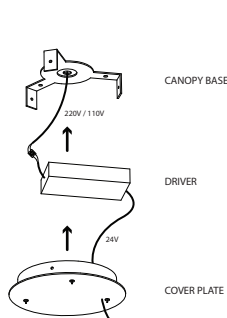
Connect the lamps electric wire to the low voltage wire coming from the transformer. Use splices and heat shrink. Tuck away the remaining electric wire and the fixture is ready.

CONTACT

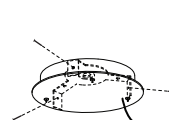
JSPR
 T +31 (0) 402692111
 INFO@JSPR.EU
 WWW.JSPR.EU



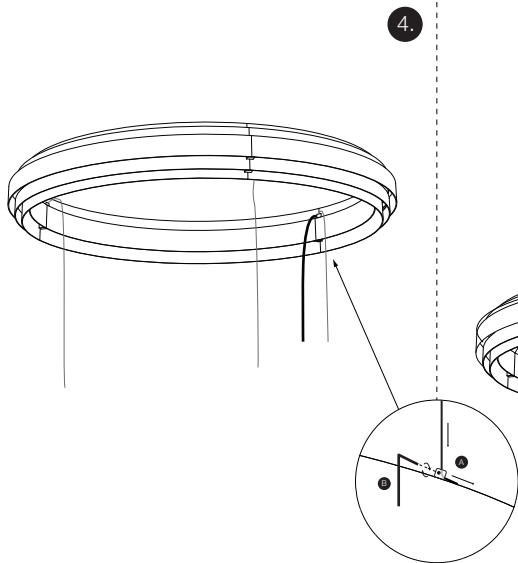
Mark holes in the ceiling based on canopy measurements. Attach canopy base plate using screws and plugs (by client).



Connect the transformer (220V/110V to 24V) to the house electric wire. Pull the low voltage wire (24V) coming from the transformer through the canopy cover plate.

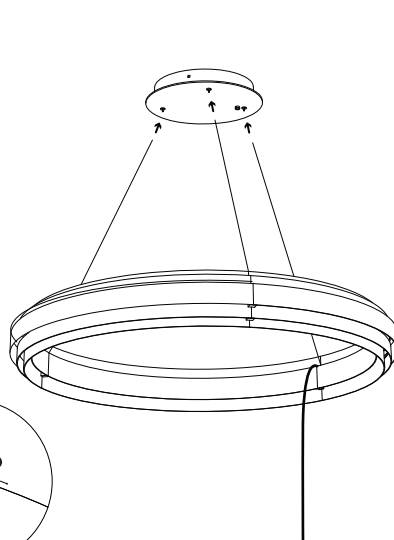


Stack the transformer in the canopy cover and attach cover to pre-mounted base plate with 3 screws.



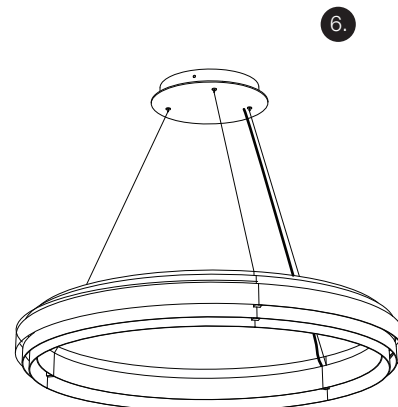
Carefully unwrap the lamp. Locate the 3 cable fasteners on the top of the lamp. Uncoil the provided suspension cables and guide them through the **top** of each fastener (A). Fasten the cable using a hex key.

NOTE: make sure to tighten the fasteners very well to avoid damage caused by the cables slipping through. Trim any excess cables.



Once the suspension cables are securely fastened to the lamp, guide the other end of each cable through the cable fasteners on the canopy.

These integrated cable fasteners work the same way as our individual ceiling fasteners. Detailed manual for their use is enclosed in this document.

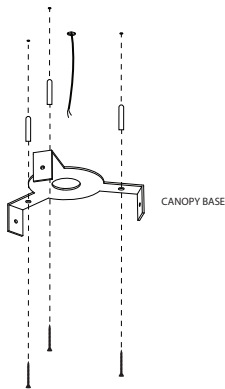


Once the desired position and length is achieved trim any excess suspension cables and connect the lamp's electric wire to the low voltage wire coming from the canopy. Use splices and heat shrink. Tuck away the connection point and any excess wire in the canopy.

CONTACT

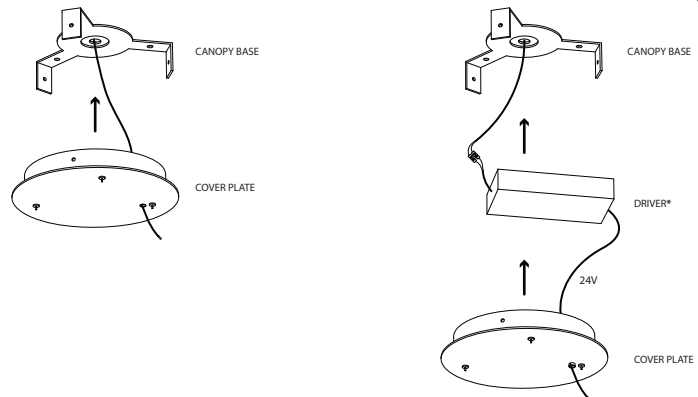
JSPR
T +31 (0) 402692111
INFO@JSPR.EU
WWW.JSPR.EU

1.



Mark holes in the ceiling based on canopy measurements. Attach canopy base plate using screws and plugs (by client).

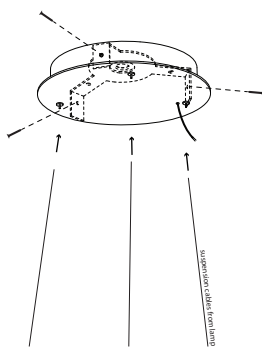
2.



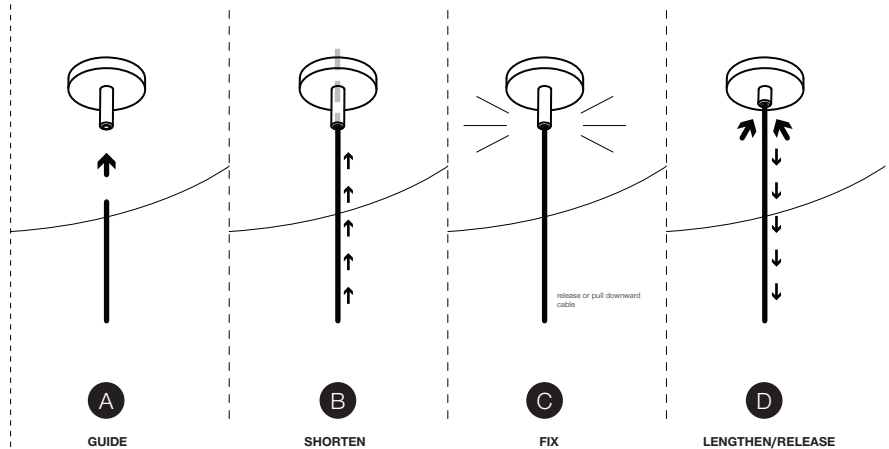
ASSEMBLY WITHOUT DRIVER
Pull through cover plate the house electricity cable or connect the lamps electric cable (through cover plate) to the house electricity wire.

ASSEMBLY WITH DRIVER*
Connect the transformer/driver (220V/110V to 24V*) to the house electric wire. Pull the low voltage wire coming from the transformer through the canopy cover plate.
* depending on lamp

3.



Fix cover plate to the base plate with three included screws. Once tightly fixed proceed to hanging the lamp by guiding the lamps suspension cables through the little nozzles.



GUIDING THE CABLE (Steps A; B; C)

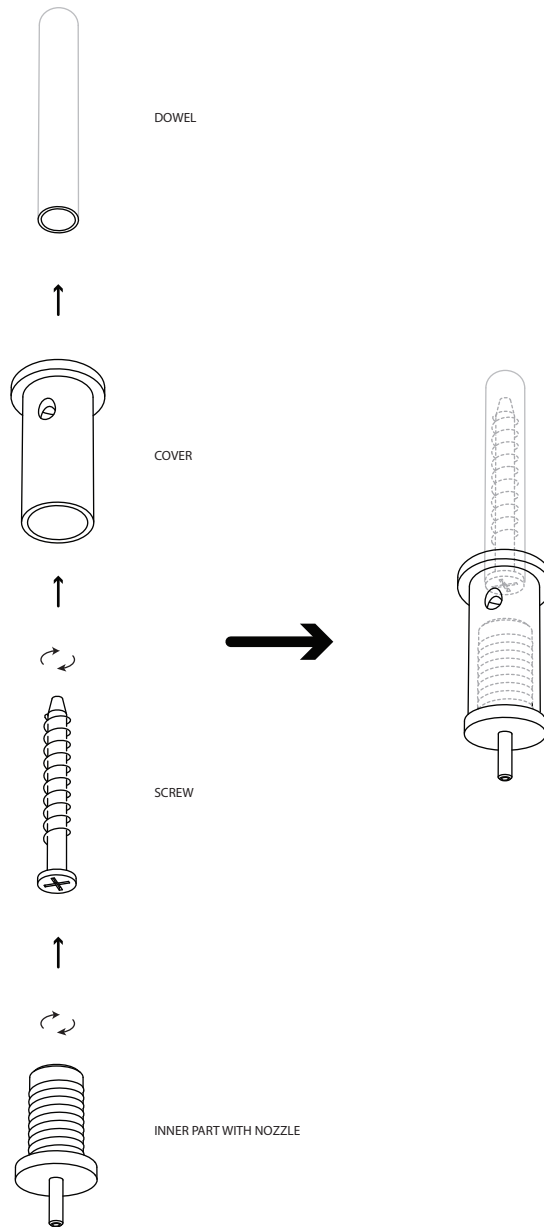
Guide the support cable through the tinny nozzle (A & B). Once reached the desired length of the cable let it go or pull the cable downwards and the fastener will automatically lock (C).

EXTENDING THE CABLE (Step D)

To extend the cable, push the little nozzle upwards/inside. The cable will loosen and allow to be pulled out. To lock position - release the nozzle and the fastener will automatically lock the cable (Step C).

CONTACT

JSPR
T +31 (0) 402692111
INFO@JSPR.EU
WWW.JSPR.EU

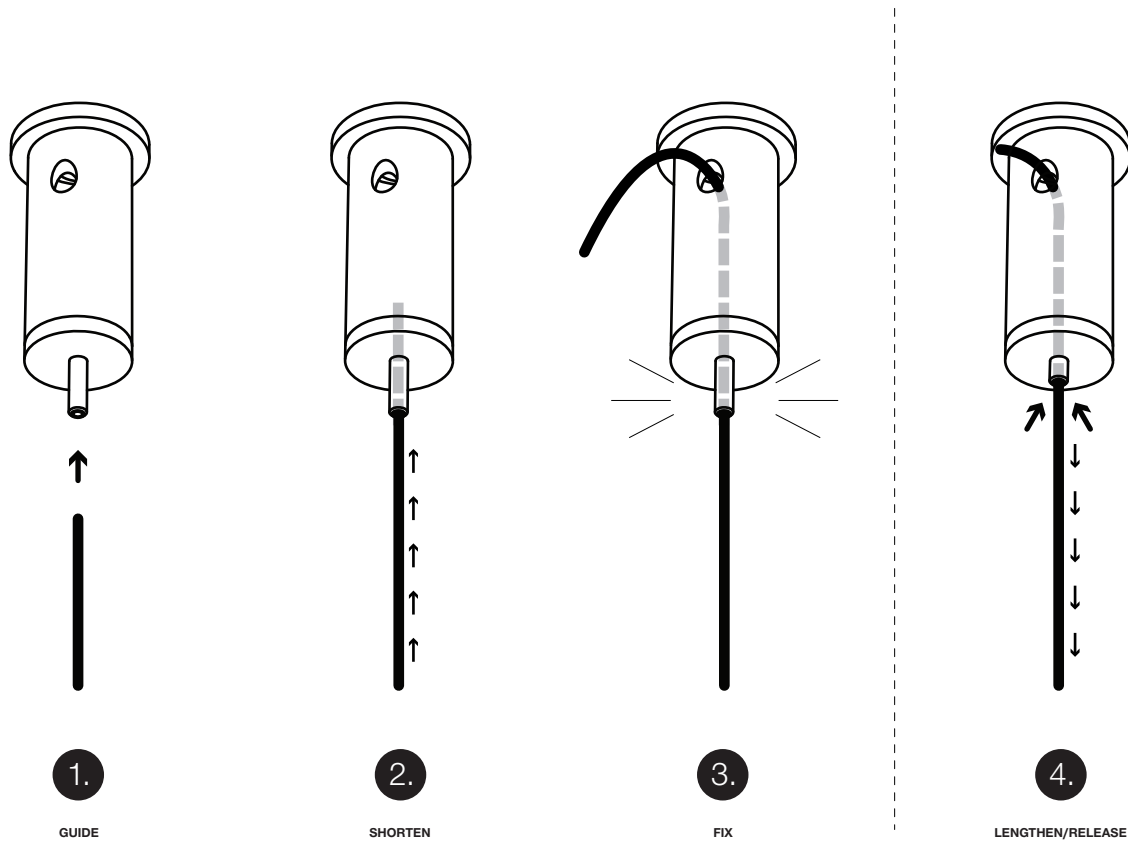


Drill hole in the desired location in the ceiling, place a dowel in the hole (dowel and screw by client). Fasten the cover of the cable fastener with a screw by guiding it through the cover into the dowel. Once the cover is fastened screw in the inner part of the cable fastener.

Proceed to the next page of this manual for information on using this cable fastener.

CONTACT

JSPR
T +31 (0) 402692111
INFO@JSPR.EU
WWW.JSPR.EU



GUIDING THE CABLE (Steps 1 - 3)

Once the cable fasteners are securely attached to the ceiling, guide the support cable through the tinny nozzle (1 & 2). Once reached the desired length of the cable let it go or pull cable downwards and the cable fastener will automatically lock (3).

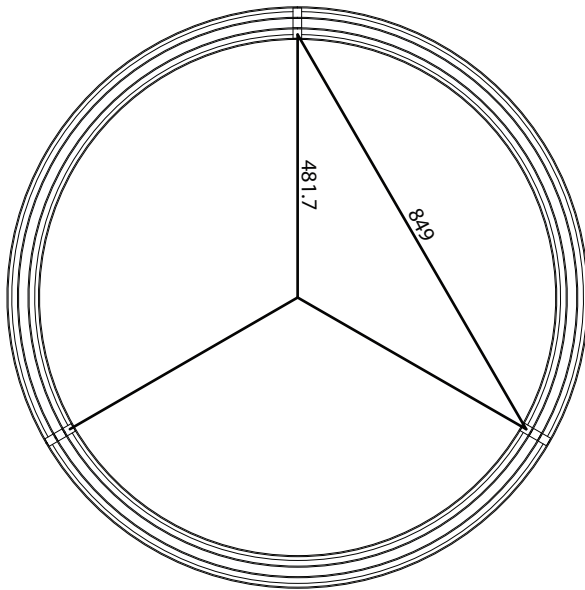
EXTENDING THE CABLE (Step 4)

To extend the cable, push the little nozzle upwards/inside, the cable will loosen and allow to be pulled out. To fix release the nozzle and the fastener will automatically lock the cable.

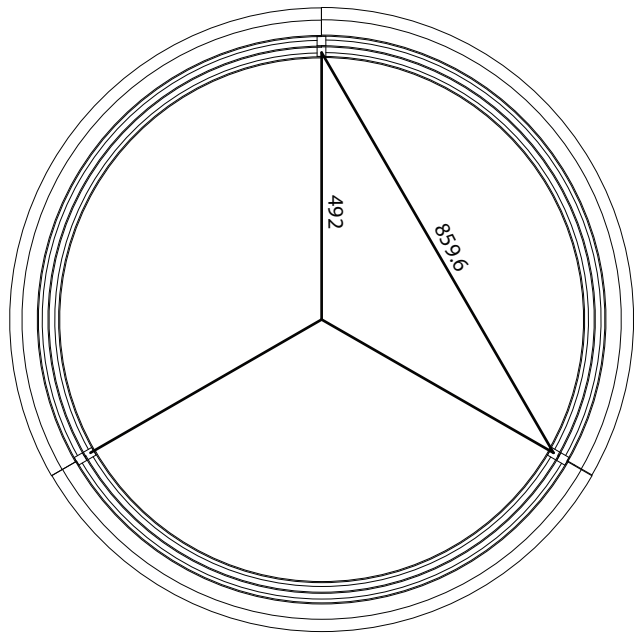
After achieving desired length of the lighting fixture trim any excess cables.

CONTACT

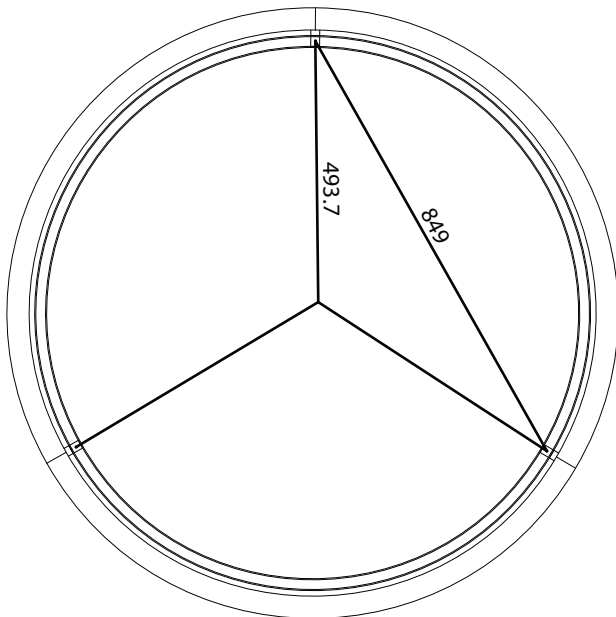
JSPR
T +31 (0) 402692111
INFO@JSPR.EU
WWW.JSPR.EU



EMPIRE I



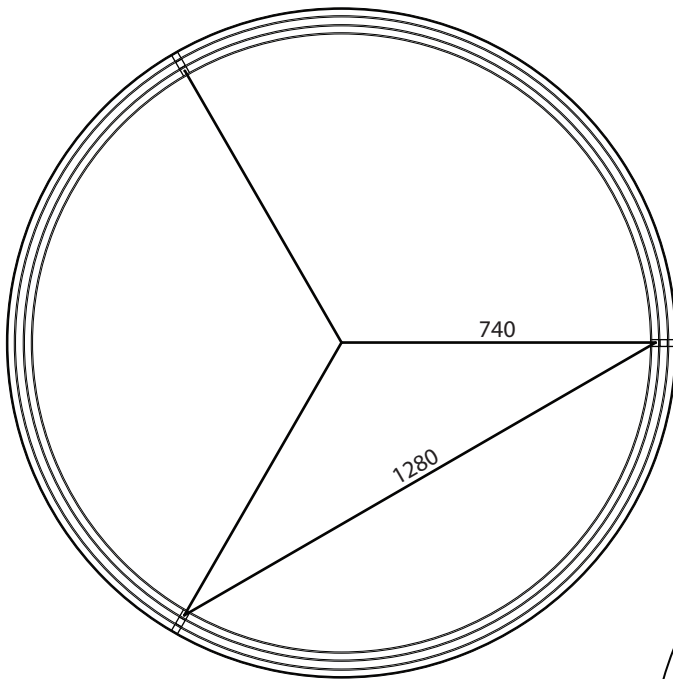
EMPIRE II



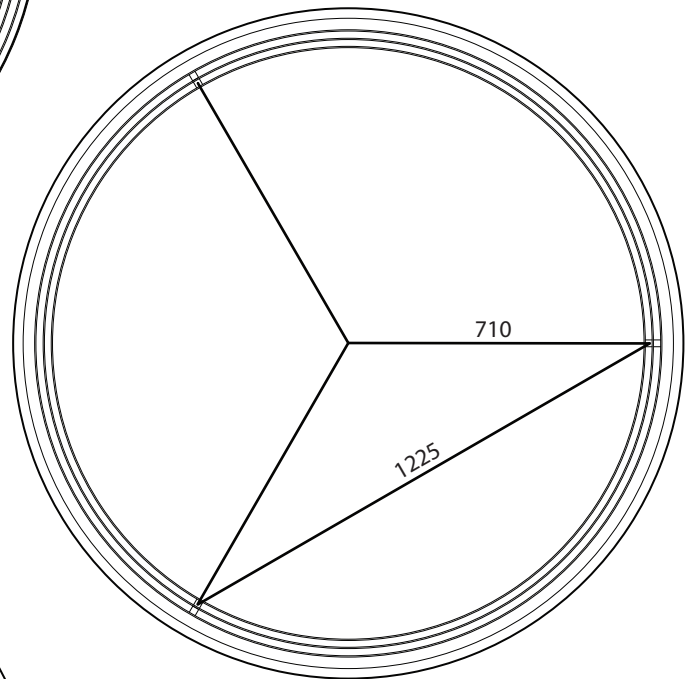
EMPIRE III

CONTACT

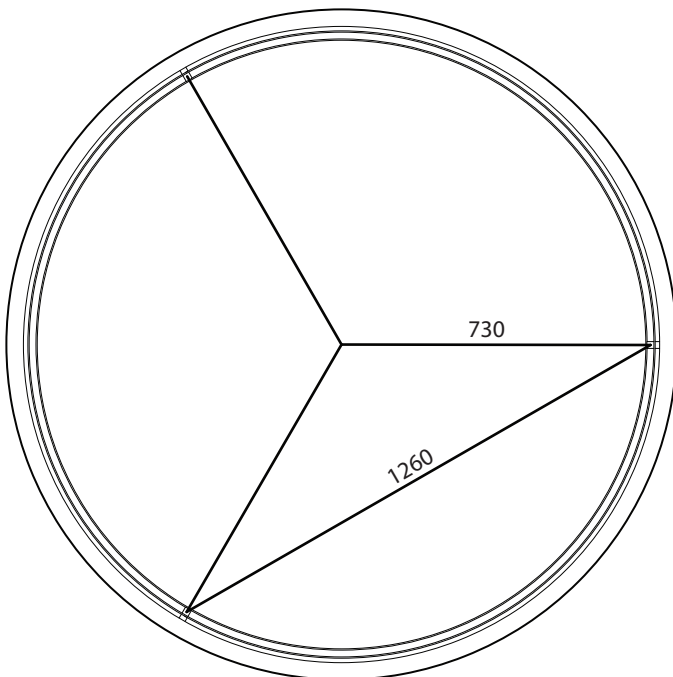
JSPR
T +31 (0) 402692111
INFO@JSPR.EU
WWW.JSPR.EU



EMPIRE I Large



EMPIRE II Large



EMPIRE III Large

CONTACT

JSPR
T +31 (0) 402692111
INFO@JSPR.EU
WWW.JSPR.EU