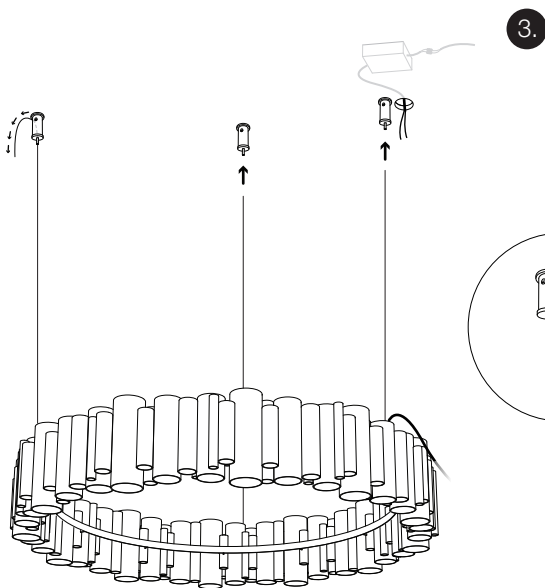


Mark and drill holes in the ceiling based on lamp measurements. Attach JSPR suspension cable fasteners positioning one near the house electricity wire.

NOTE: Installation and use of our ceiling suspension cable fasteners is enclosed in this document.

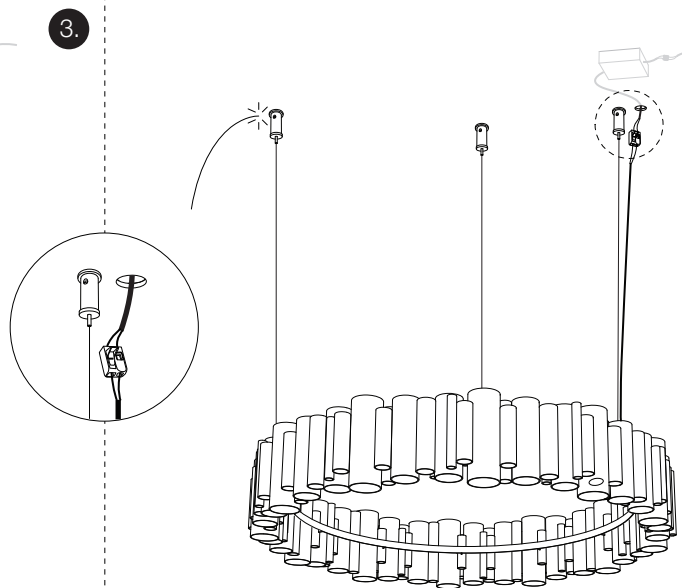
Locate all cable fasteners on the top of the lamp. Uncoil the provided suspension cables and guide them through the top of each fastener (A). Fasten the cable using a hex key (B). Trim any excess cables.

NOTE: Make sure to tighten the fasteners very well and always use all cable fasteners that are strategically placed on the fixture to avoid any damage.



Guide the lamps suspension cables through the pre-mounted ceiling fasteners until desired length is achieved and the fixture is in level.

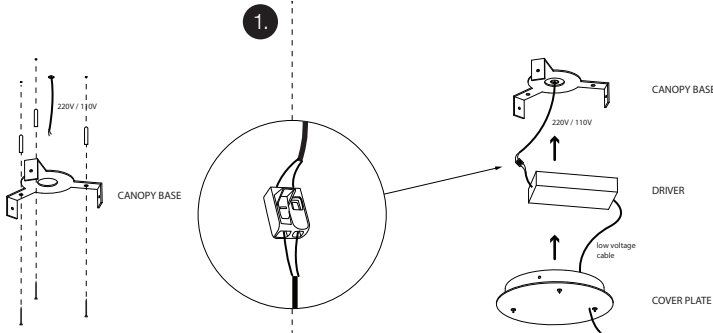
Manual for using our cable fasteners is enclosed in this document.



Shorten the electric wire and connect it to the house wire. Use a connection block. Tuck away any excess wires and trim suspension cables if necessary.

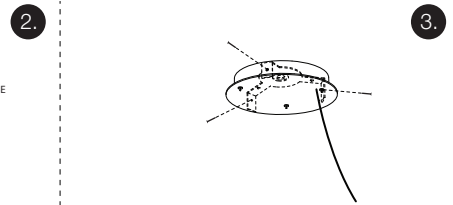
CONTACT

JSPR
 T +31 (0) 402692111
 INFO@JSPR.EU
 WWW.JSPR.EU

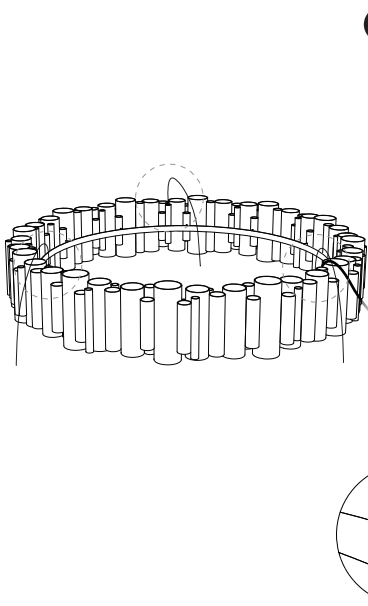


1. Mark holes in the ceiling based on canopy measurements. Attach canopy base plate using screws and plugs (by client). Pull through the house electricity wire.

2. Connect the driver to the house electric wire using a connection block following the installation on the driver. Pull the low voltage wire coming from the driver through the canopy cover plate.

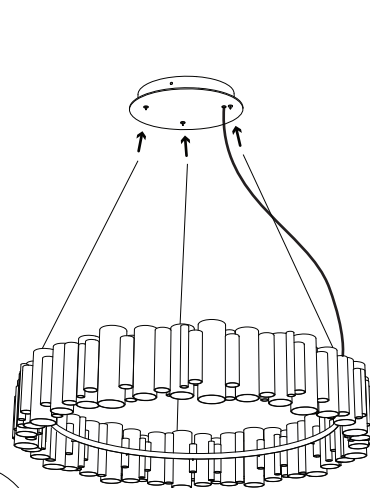


3. Stack the transformer in the canopy cover and attach cover to pre-mounted base plate with provided screws.



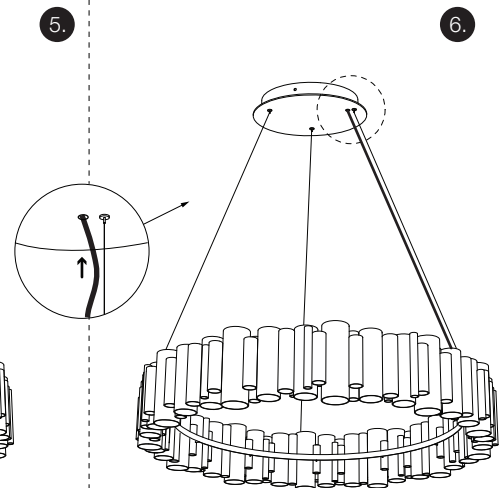
4. Carefully unwarp the lamp. Locate the 3 cable fasteners on the top of the fixture. Uncoil provided suspension cables and guide them through the top of each fastener (A). Fasten the cable using a hex key (B).

NOTE: Make sure to tighten the fasteners very well to avoid any damage. Trim any excess cables.



5. After suspension cables are securely fastened to the lamp, guide the other end of each cable through the cable fasteners on the canopy. There integrated cable fasteners work the same way as our individual ceiling fasteners.

Detailed manual for their use is enclosed in this document.



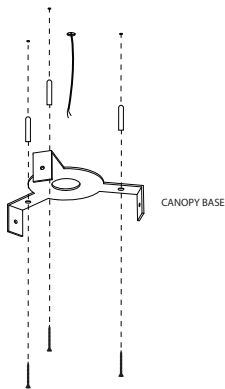
6. Tuck any excess electricity cable in the canopy and the fixture is ready.

*The assembly should be carried out by a qualified person, due to the fact that wrong assembly can lead to that the lighting fixture topples or falls resulting in personal injury or damage.

CONTACT

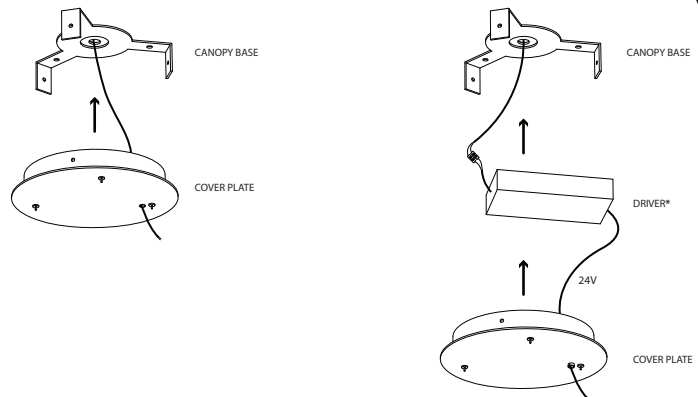
JSPR
T +31 (0) 402692111
INFO@JSPR.EU
WWW.JSPR.EU

1.



Mark holes in the ceiling based on canopy measurements. Attach canopy base plate using screws and plugs (by client).

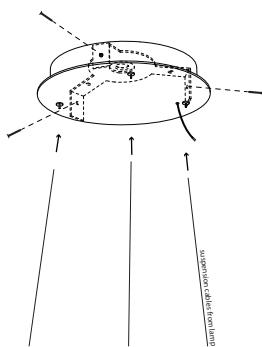
2.



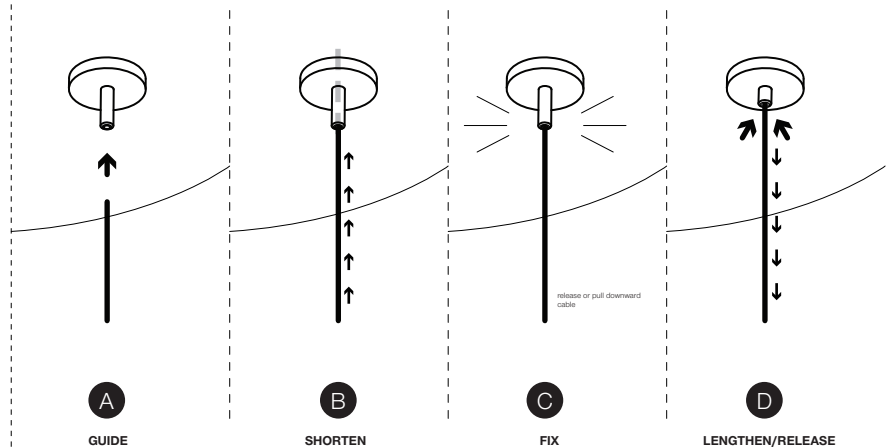
ASSEMBLY WITHOUT DRIVER
Pull through cover plate the house electricity cable or connect the lamps electric cable (through cover plate) to the house electricity wire.

ASSEMBLY WITH DRIVER*
Connect the transformer/driver (220V/110V to 24V*) to the house electric wire. Pull the low voltage wire coming from the transformer through the canopy cover plate.
* depending on lamp

3.



Fix cover plate to the base plate with three included screws. Once tightly fixed proceed to hanging the lamp by guiding the lamps suspension cables through the little nozzles.



GUIDING THE CABLE (Steps A; B; C)

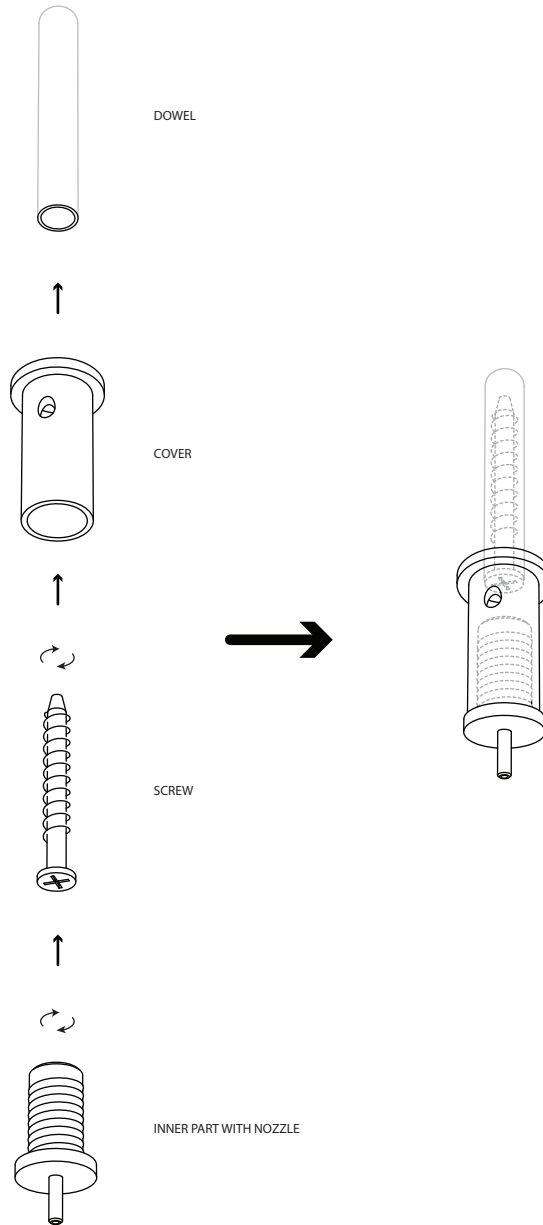
Guide the support cable through the tinny nozzle (A & B). Once reached the desired length of the cable let it go or pull the cable downwards and the fastener will automatically lock (C).

EXTENDING THE CABLE (Step D)

To extend the cable, push the little nozzle upwards/inside. The cable will loosen and allow to be pulled out. To lock position - release the nozzle and the fastener will automatically lock the cable (Step C).

CONTACT

JSPR
T +31 (0) 402692111
INFO@JSPR.EU
WWW.JSPR.EU

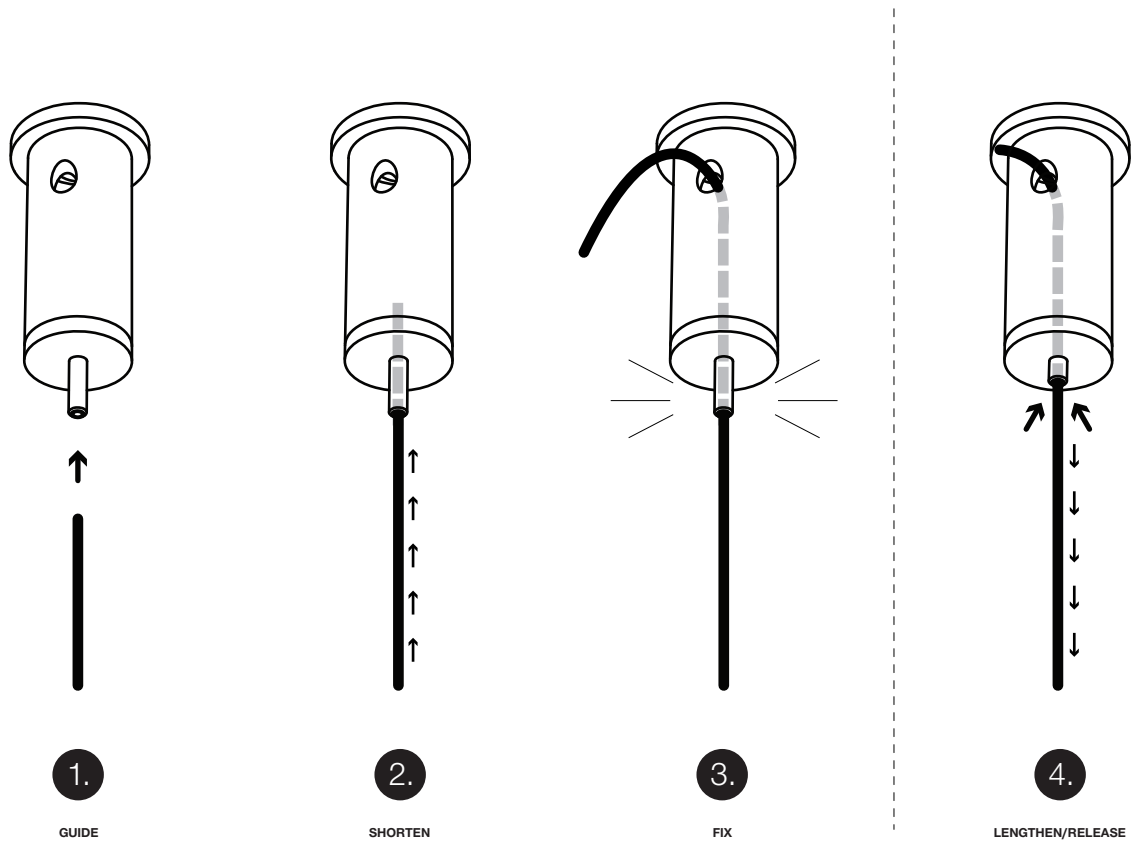


Drill hole in the desired location in the ceiling, place a dowel in the hole (dowel and screw by client). Fasten the cover of the cable fastener with a screw by guiding it through the cover into the dowel. Once the cover is fastened screw in the inner part of the cable fastener.

Proceed to the next page of this manual for information on using this cable fastener.

CONTACT

JSPR
T +31 (0) 402692111
INFO@JSPR.EU
WWW.JSPR.EU



GUIDING THE CABLE (Steps 1 - 3)

Once the cable fasteners are securely attached to the ceiling, guide the support cable through the tinny nozzle (1 & 2). Once reached the desired length of the cable let it go or pull cable downwards and the cable fastener will automatically lock (3).

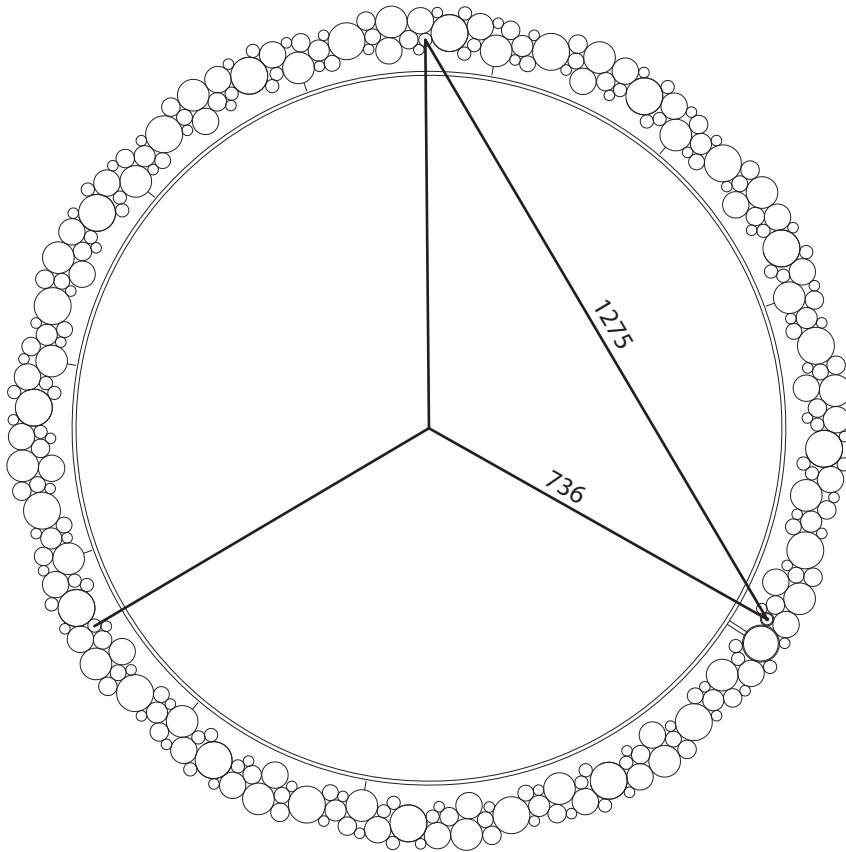
EXTENDING THE CABLE (Step 4)

To extend the cable, push the little nozzle upwards/inside, the cable will loosen and allow to be pulled out. To fix release the nozzle and the fastener will automatically lock the cable.

After achieving desired length of the lighting fixture trim any excess cables.

CONTACT

JSPR
T +31 (0) 402692111
INFO@JSPR.EU
WWW.JSPR.EU



CITYSCAPE SUBURBAN

CONTACT

JSPR
T +31 (0) 402692111
INFO@JSPR.EU
WWW.JSPR.EU