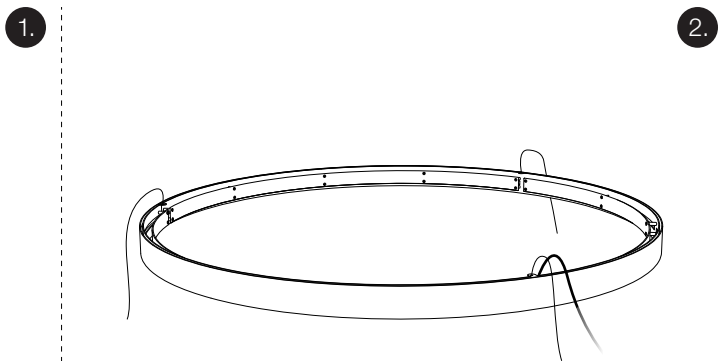


Mark and drill holes in the ceiling based on lamp measurements. Attach JSPR suspension cable fasteners positioning one near the built - in ceiling.

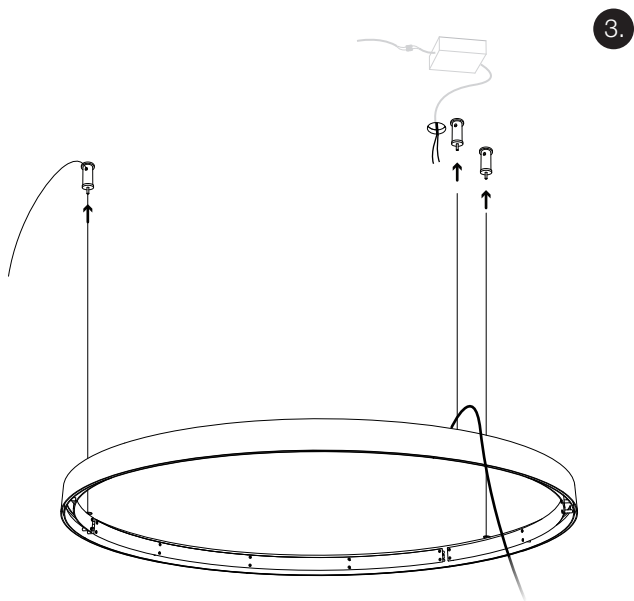
NOTE: Installation and use of our ceiling suspension cable fasteners is enclosed in this document.

*Contact our support team to advise for best solutions for this application.

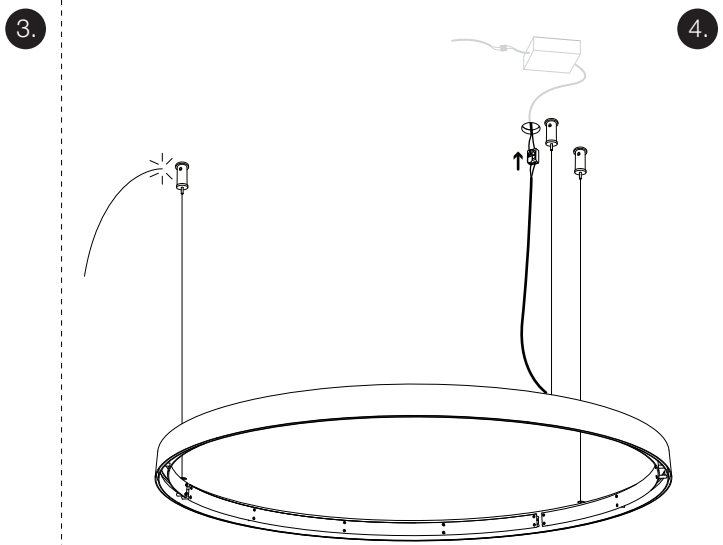


Carefully unwrap the fixture on a soft clean surface. Locate all cable fasteners on the top of the lamp. Uncoil the provided suspension cables and electric cable.

NOTE: Make sure to tighten the fasteners very well and always use all cable fasteners that are strategically placed on the fixture to avoid any damage.



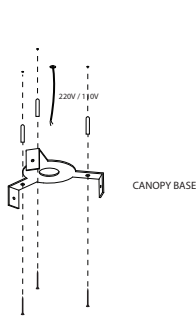
Guide the lamps suspension cables through the pre-mounted ceiling fasteners until desired length is achieved.



Shorten the electric wire and connect it to the transformer wires (check the markings “+” and “ - ” provided on the parts), use provided splicing connectors. Tuck away any excess wires and trim suspension cables if necessary.

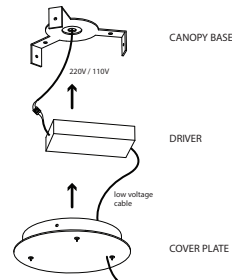
CONTACT

JSPR
 T +31 (0) 402692111
 INFO@JSPR.EU
 WWW.JSPR.EU



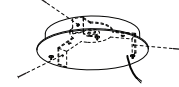
1.

Mark holes in the ceiling based on canopy measurements. Attach canopy base plate using screws and plugs (by client).



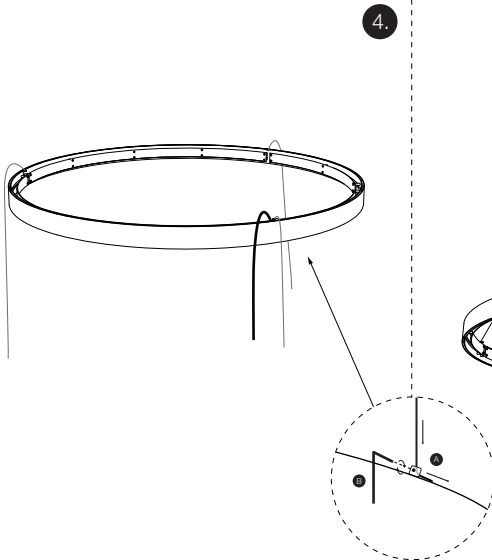
2.

Connect the transformer to the house electric wire. Pull the low voltage wire coming from the transformer through the canopy cover plate.



3.

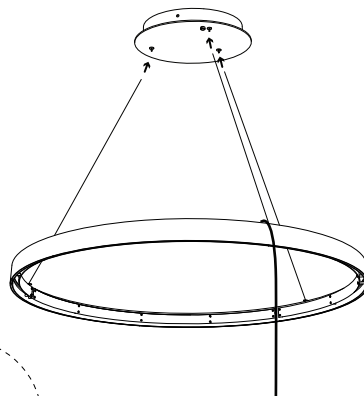
Stack the transformer in the canopy cover and attach cover to pre-mounted base plate with provided screws.



4.

Carefully unwrap the lamp. Locate the 3 cable fasteners on the top of the lamp. Uncoil the provided suspension cables and guide them through the **top** of each fastener (**A**). Fasten the cable using a hex key.

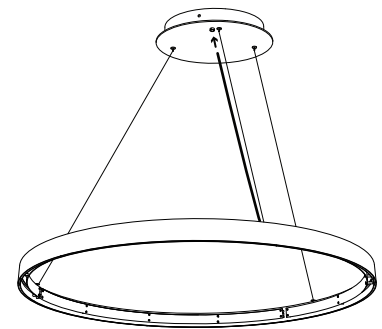
NOTE: make sure to tighten the fasteners very well to avoid damage caused by the cables slipping through. Trim any excess cables.



5.

Once the suspension cables are securely fastened to the lamp, guide the other end of each cable through the cable fasteners on the canopy.

These integrated cable fasteners work the same way as our individual ceiling fasteners. Detailed manual for their use is enclosed in this document.

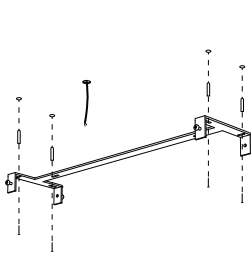


6.

Once the desired position is achieved trim any excess suspension cables and connect the lamps electric wire to the low voltage wire coming from the canopy. Use the provided splicing connectors. Tuck away the connection point and any excess wire in the canopy.

CONTACT

JSPR
T +31 (0) 402692111
INFO@JSPR.EU
WWW.JSPR.EU

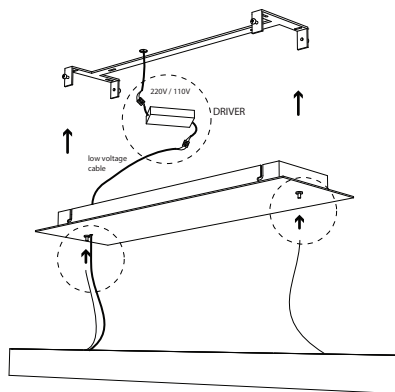


Carefully unpack the light fixture. Locate the ceiling bracket. Mark and drill holes near the house electricity wire based on ceiling bracket.

Use screws and dowels suited for your ceiling construction and material!

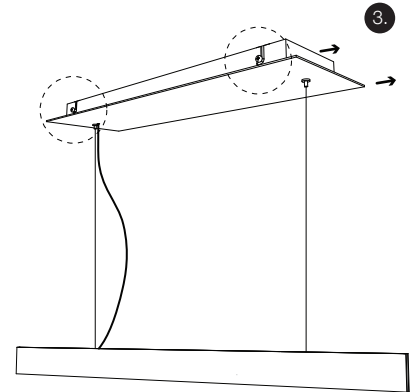
All Eden Line models can be paired with this canopy.

1.



Shorten suspension cables and electricity cable leaving extra length for alignment. Guide the suspension cables through the fasteners on canopy (manual for how these are adjusted is enclosed in this document). Pull-through fixtures electricity cable through the cover plate and connect the necessary driver.

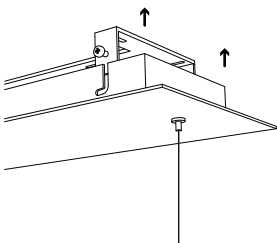
2.



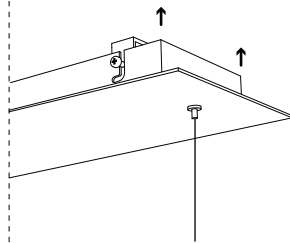
Align the plate against the ceiling bracket screws and pull sideways to hook it on. Use screwdriver to tighten the bracket screws and fix the canopy cover to the pre-installed ceiling bracket.

Detailed step-by-step below.

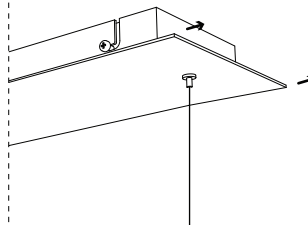
3.



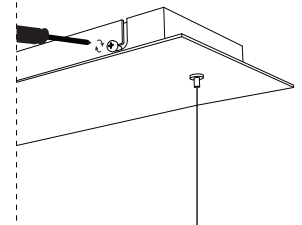
Align the canopy cover to the ceiling bracket screws and push the cover over the ceiling bracket.



Pull the cover sideways to lock in place.

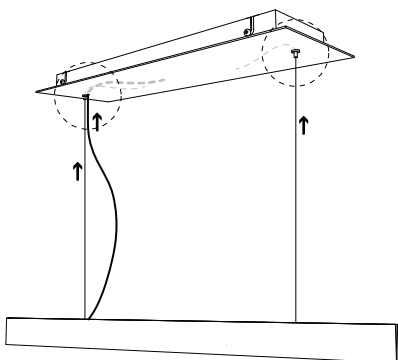


Tighten screws to fix position.



Extended or shorten suspension cables pushing or pulling into the canopy to level the fixture. Tuck any excess electricity cable in the canopy.

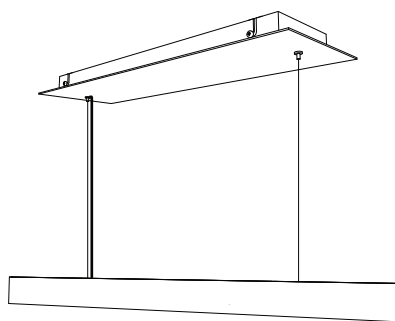
4.



The light fixture is ready.

! Assembly and installation should be carried out by a professional.

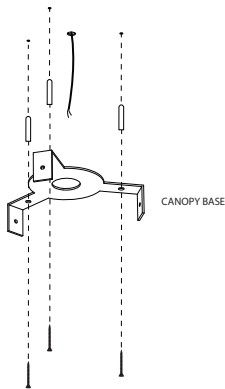
5.



CONTACT

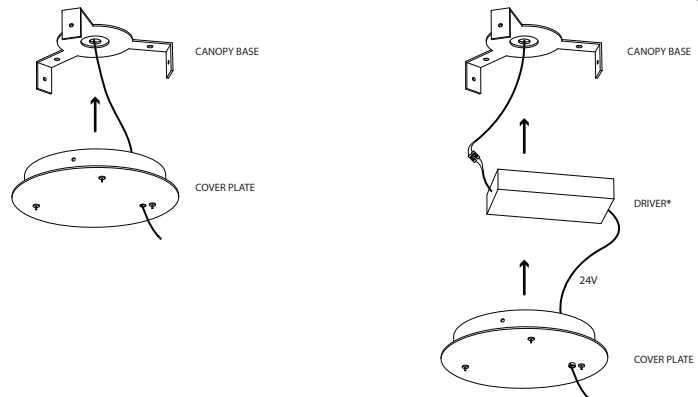
JSPR
T +31 (0) 402692111
INFO@JSPR.EU
WWW.JSPR.EU

1.



Mark holes in the ceiling based on canopy measurements. Attach canopy base plate using screws and plugs (by client).

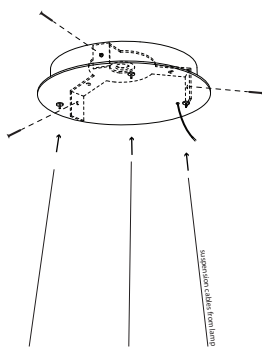
2.



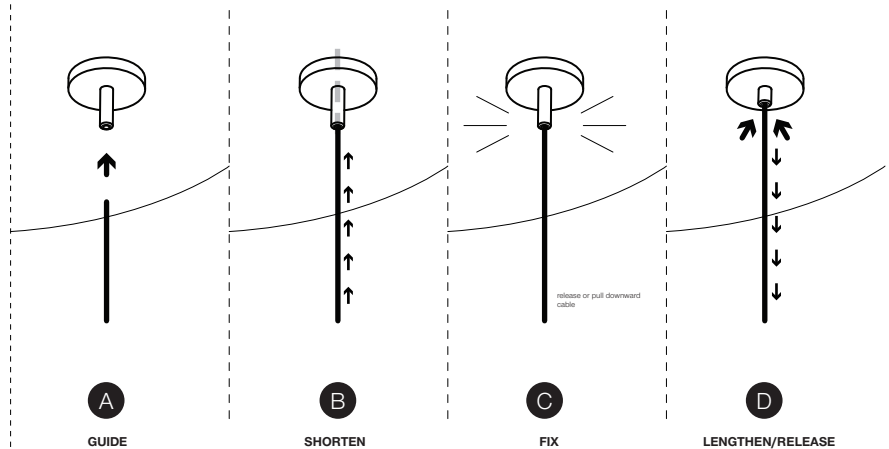
ASSEMBLY WITHOUT DRIVER
Pull through cover plate the house electricity cable or connect the lamps electric cable (through cover plate) to the house electricity wire.

ASSEMBLY WITH DRIVER*
Connect the transformer/driver (220V/110V to 24V*) to the house electric wire. Pull the low voltage wire coming from the transformer through the canopy cover plate.
* depending on lamp

3.



Fix cover plate to the base plate with three included screws. Once tightly fixed proceed to hanging the lamp by guiding the lamps suspension cables through the little nozzles.



GUIDING THE CABLE (Steps A; B; C)

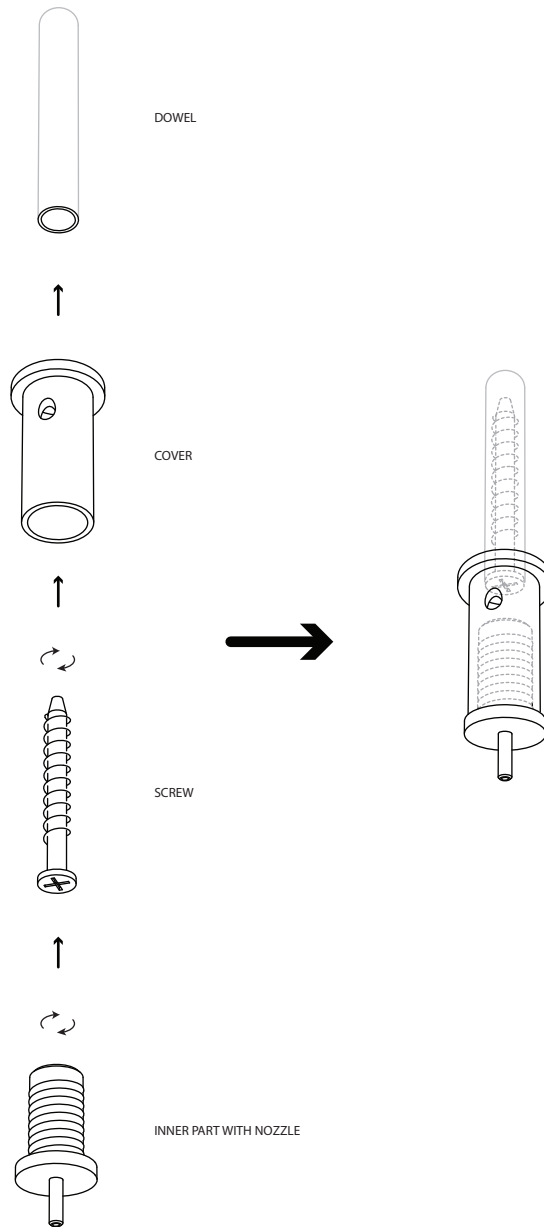
Guide the support cable through the tinny nozzle (A & B). Once reached the desired length of the cable let it go or pull the cable downwards and the fastener will automatically lock (C).

EXTENDING THE CABLE (Step D)

To extend the cable, push the little nozzle upwards/inside. The cable will loosen and allow to be pulled out. To lock position - release the nozzle and the fastener will automatically lock the cable (Step C).

CONTACT

JSPR
T +31 (0) 402692111
INFO@JSPR.EU
WWW.JSPR.EU

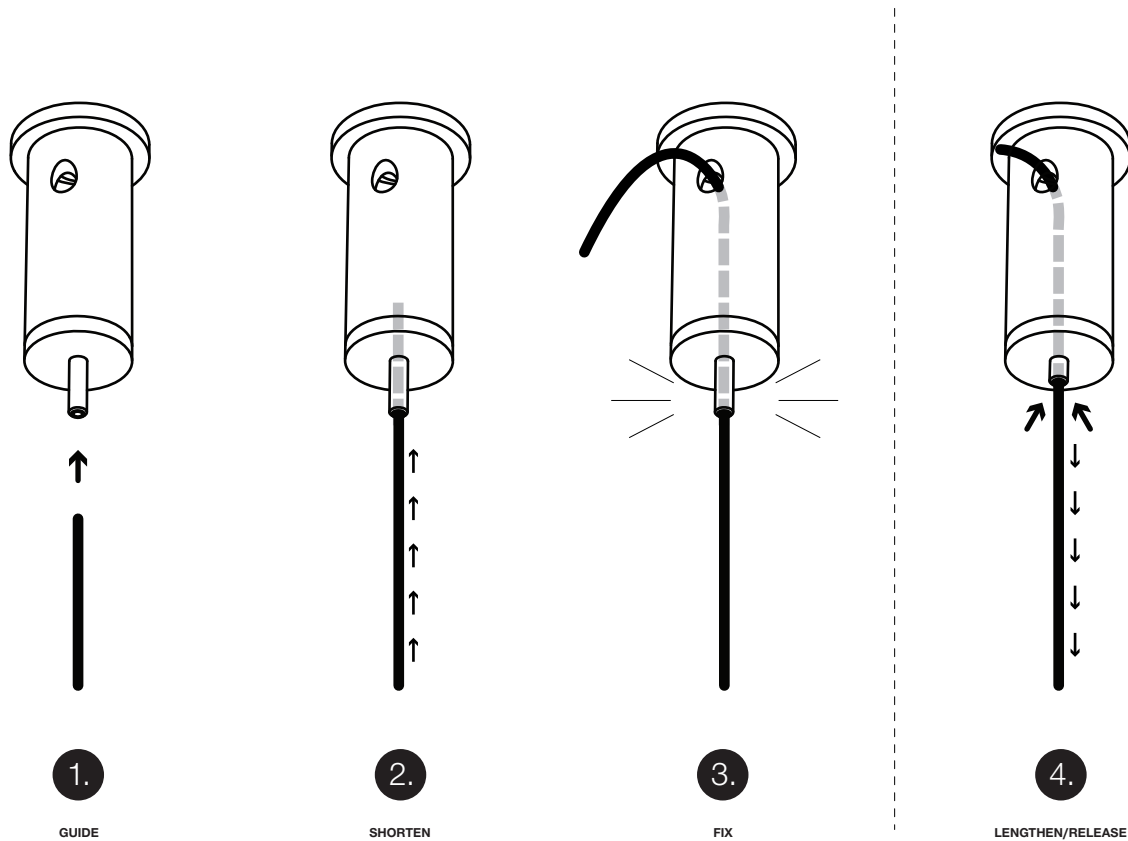


Drill hole in the desired location in the ceiling, place a dowel in the hole (dowel and screw by client). Fasten the cover of the cable fastener with a screw by guiding it through the cover into the dowel. Once the cover is fastened screw in the inner part of the cable fastener.

Proceed to the next page of this manual for information on using this cable fastener.

CONTACT

JSPR
T +31 (0) 402692111
INFO@JSPR.EU
WWW.JSPR.EU



GUIDING THE CABLE (Steps 1 - 3)

Once the cable fasteners are securely attached to the ceiling, guide the support cable through the tinny nozzle (1 & 2). Once reached the desired length of the cable let it go or pull cable downwards and the cable fastener will automatically lock (3).

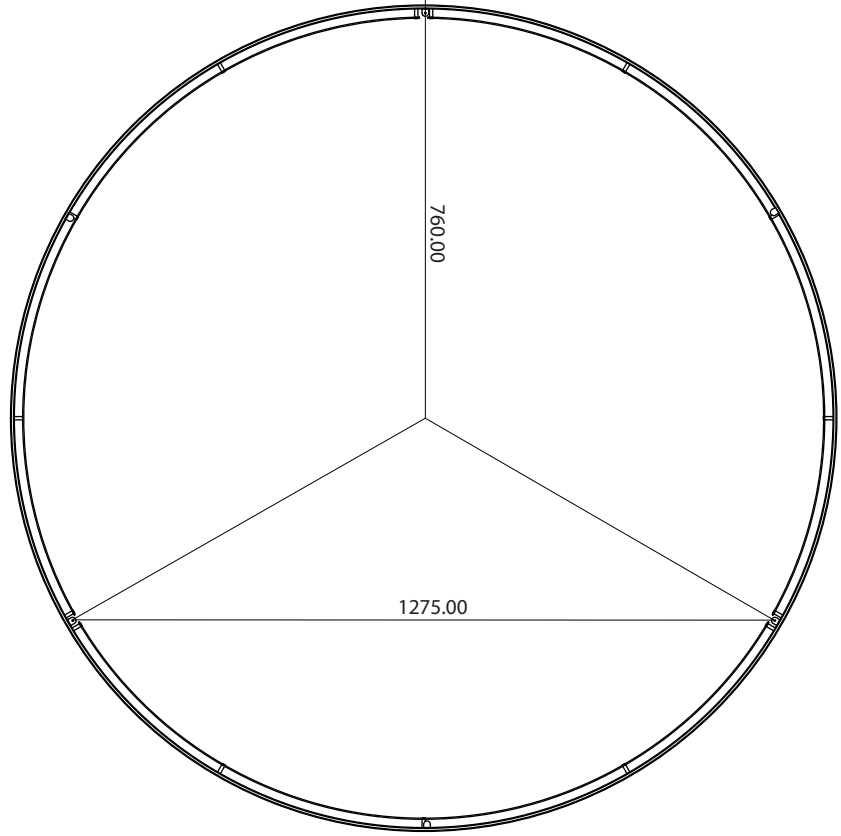
EXTENDING THE CABLE (Step 4)

To extend the cable, push the little nozzle upwards/inside, the cable will loosen and allow to be pulled out. To fix release the nozzle and the fastener will automatically lock the cable.

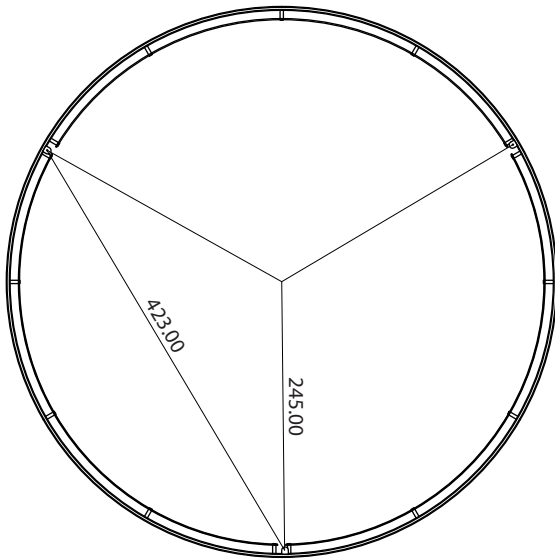
After achieving desired length of the lighting fixture trim any excess cables.

CONTACT

JSPR
 T +31 (0) 402692111
 INFO@JSPR.EU
 WWW.JSPR.EU



EDEN Medium
EDEN DECO Medium



EDEN Small
EDEN DECO Small

CONTACT

JSPR
T +31 (0) 402692111
INFO@JSPR.EU
WWW.JSPR.EU