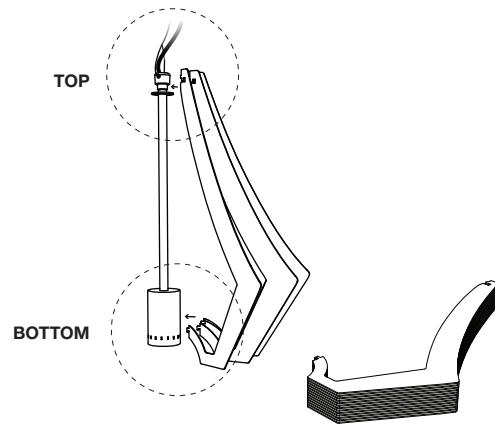


1.

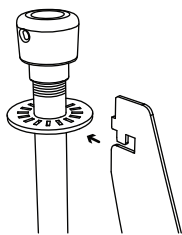
Carefully unpack the light fixture. The box contains 1x core with pre assembled wiring and 16x lamp shade panels.



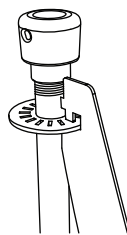
2.

Begin by adding the 16x lamp shade panels (steps A; B; C). All units are identical and have no particular order.

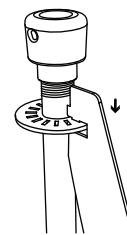
TOP



A

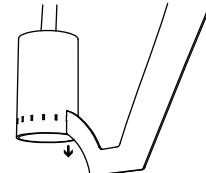
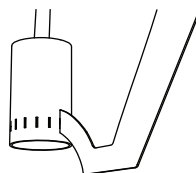
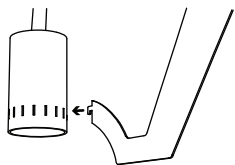


B



C

BOTTOM

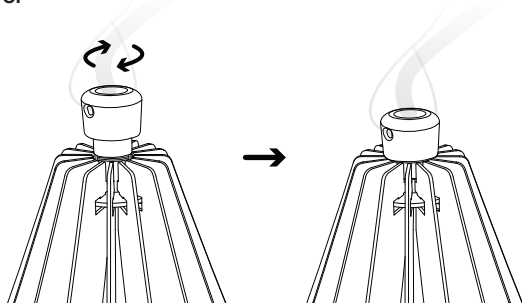


Take a panel and align it to an opening on the top of the core of the lamp and on the bottom where the bulb will later on come.

Push the panel through the holes (on top and bottom).

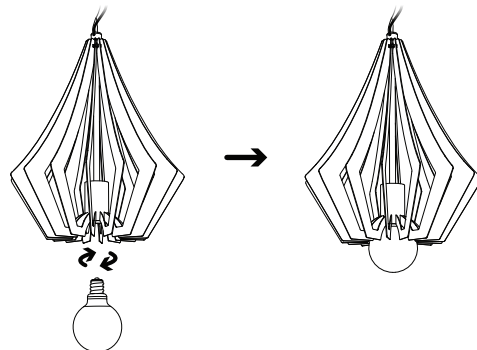
Pull the panel downwards to fix it in place. Proceed to the next panel and continue repeating these steps.

TOP



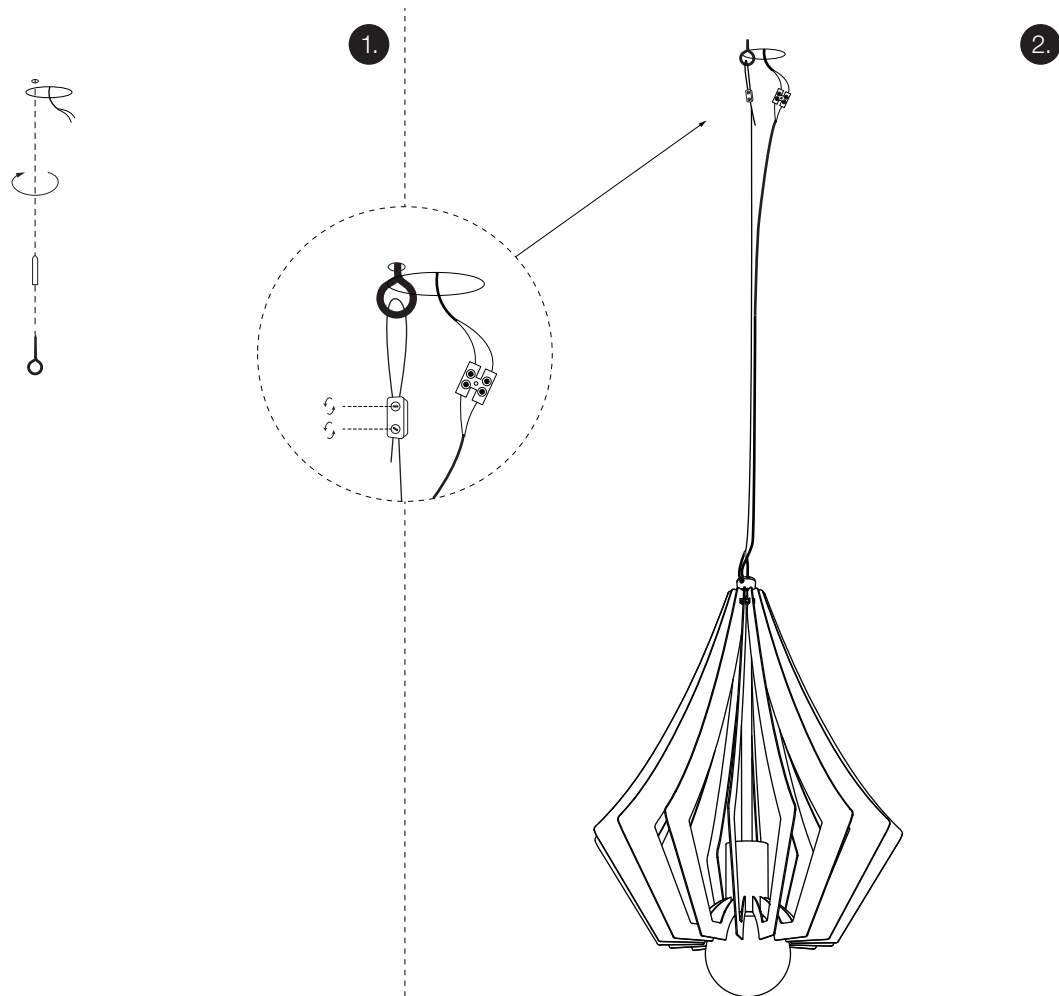
3.

Once all panels are inserted fix them in place by screwing the top cap.



4.

Carefully unpack the bulb (sold separately) and screw it in the fixture. The light fixture is ready for installing.



Near the house electric wire drill a hole in the ceiling for a suspension hook (provided by client). Use a dowel to secure the hook in the ceiling.

**NOTE:**  
JSPR ceiling fasteners and canopies sold separately.

Hang the light fixture by guiding the suspension cable through the pre-mounted hook, tighten the clasp and trim any access cable.

Shorten the fixtures electric cable to necessary length and connect it to the electricity house wire. Use splices and heat shrink.

The fixture is ready.

Fitting: E26/E27 max 60W

**IMPORTANT**

The assembly should be carried out by a qualified person, due to the fact that wrong assembly can lead to that the lighting fixture topples or falls resulting in personal injury or damage.

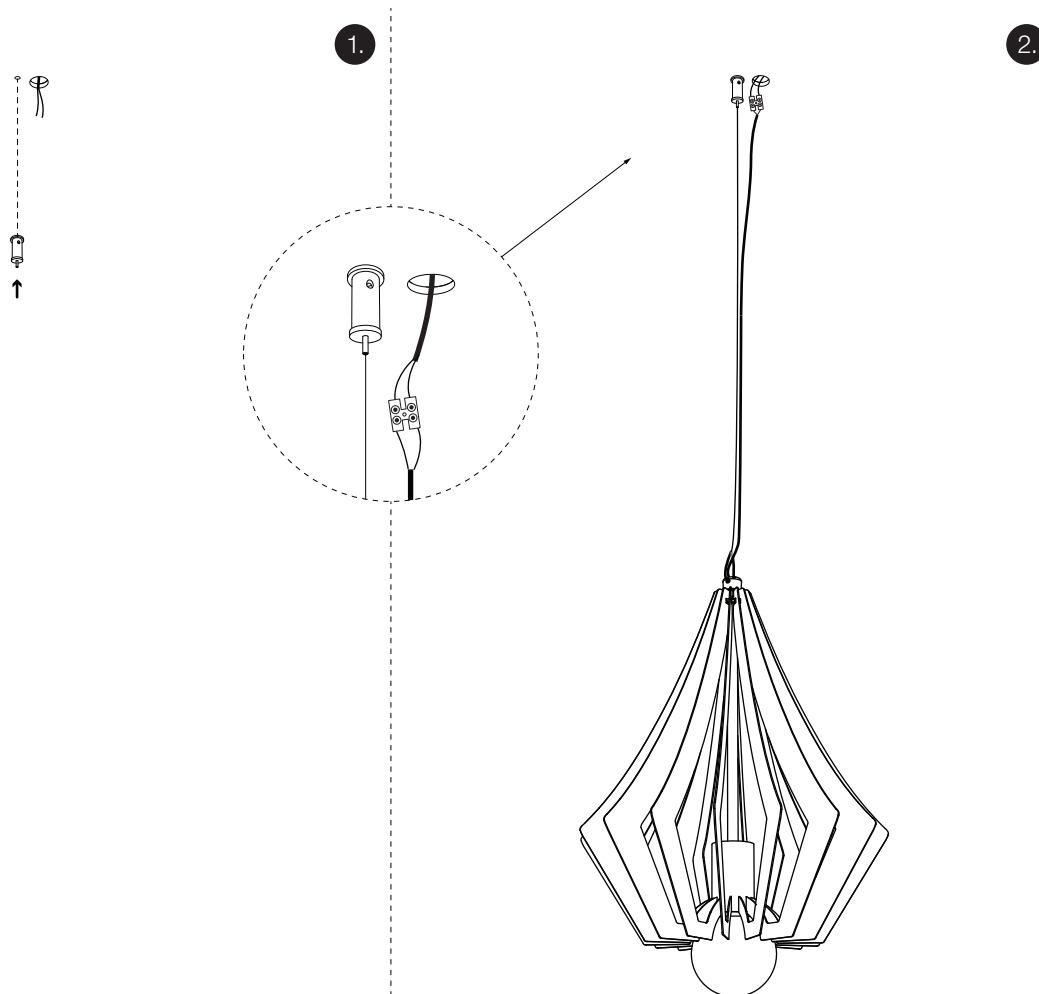
**NOTE**

Screws and fittings are not included. JSPR ceiling fasteners and canopies can be bought separately. Choose screws and fittings that are specially suited to the material in your ceiling and have sufficient holding power. If you are uncertain, contact your local specialised dealer.

Feel free to contact us for advice for your situation.

**CONTACT**

**JSPR**  
T +31 (0) 402692111  
INFO@JSPR.EU  
WWW.JSPR.EU



Mark and drill a hole in the ceiling next to the house electricity cable. Attach JSPR suspension cable fastener (sold separately) using a screw and dowel (by client).

NOTE: Detailed installation and use of our ceiling suspension cable fasteners is enclosed in this document.

Hang the light fixture by guiding the suspension cable through the pre-mounted ceiling fastener. Trim any excess cable.

Shorten the fixture's electric cable to necessary length and connect it to the electricity house wire. Use splices and heat shrink.

The fixture is ready.

Fitting: E26/E27 max 60W

#### IMPORTANT

The assembly should be carried out by a qualified person, due to the fact that wrong assembly can lead to that the lighting fixture topples or falls resulting in personal injury or damage.

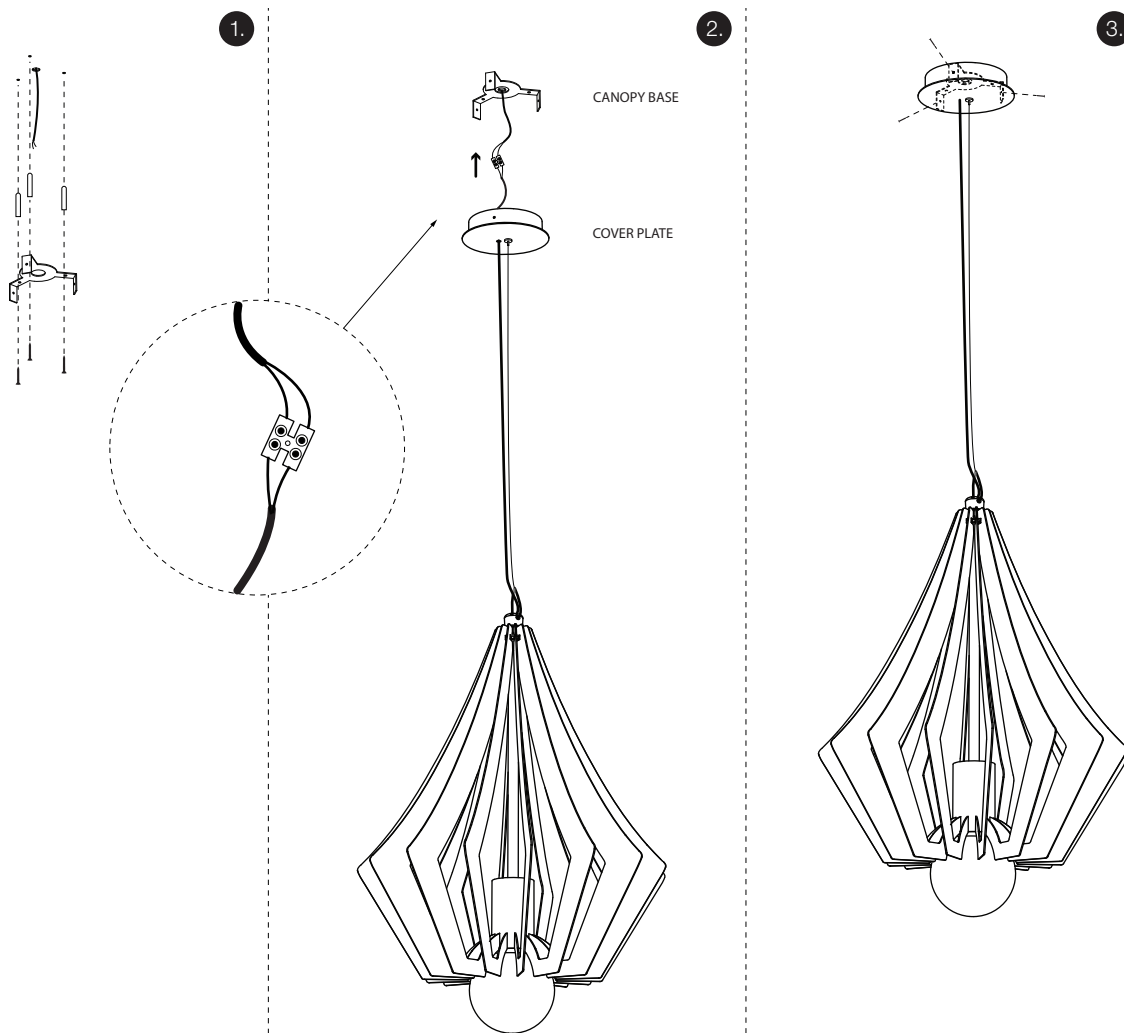
#### NOTE

Screws and fittings are not included. JSPR ceiling fasteners and canopies can be bought separately. Choose screws and fittings that are specially suited to the material in your ceiling and have sufficient holding power. If you are uncertain, contact your local specialised dealer.

Feel free to contact us for advice for your situation.

#### CONTACT

**JSPR**  
T +31 (0) 402692111  
INFO@JSPR.EU  
WWW.JSPR.EU



Mark and drill holes in the ceiling near the house electricity wire, based on the canopy size. Attach canopy base plate using screws and dowels (by client).

NOTE: detailed information on mounting and using our canopies is enclosed in the next pages.

Shorten the lamps electricity wire approximately the desired length leaving extra. Connect house wire to lamp electricity wire using a connection block.

Align and fix the cover plate to the pre-mounted canopy base with three provided screws.

Adjust the suspension wire and electricity cable length.

Ideal option to disguise a dimmer or hide the electricity cable exit on the ceiling.

**IMPORTANT**

The assembly should be carried out by a qualified person, due to the fact that wrong assembly can lead to that the lighting fixture topples or falls resulting in personal injury or damage.

**NOTE**

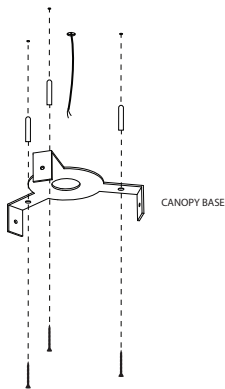
Screws and fittings are not included. JSPR ceiling fasteners and canopies can be bought separately. Choose screws and fittings that are specially suited to the material in your ceiling and have sufficient holding power. If you are uncertain, contact your local specialised dealer.

Feel free to contact us for advice for your situation.

**CONTACT**

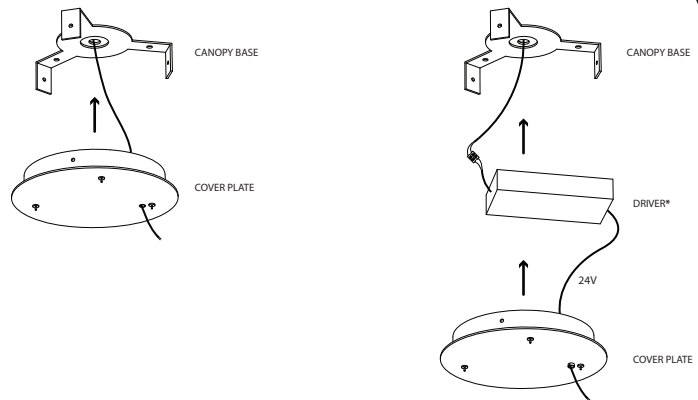
**JSPR**  
 T +31 (0) 402692111  
 INFO@JSPR.EU  
 WWW.JSPR.EU

1.



Mark holes in the ceiling based on canopy measurements. Attach canopy base plate using screws and plugs (by client).

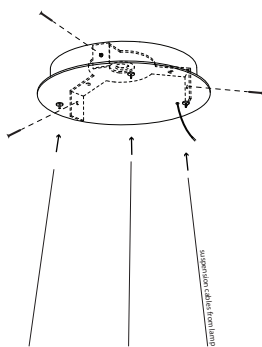
2.



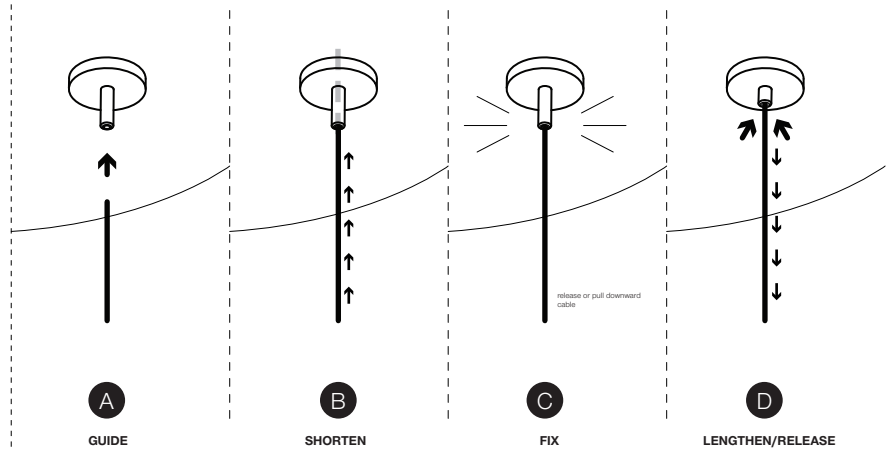
**ASSEMBLY WITHOUT DRIVER**  
Pull through cover plate the house electricity cable or connect the lamps electric cable (through cover plate) to the house electricity wire.

**ASSEMBLY WITH DRIVER\***  
Connect the transformer/driver (220V/110V to 24V\*) to the house electric wire. Pull the low voltage wire coming from the transformer through the canopy cover plate.  
\* depending on lamp

3.



Fix cover plate to the base plate with three included screws. Once tightly fixed proceed to hanging the lamp by guiding the lamps suspension cables through the little nozzles.



**GUIDING THE CABLE (Steps A; B; C)**

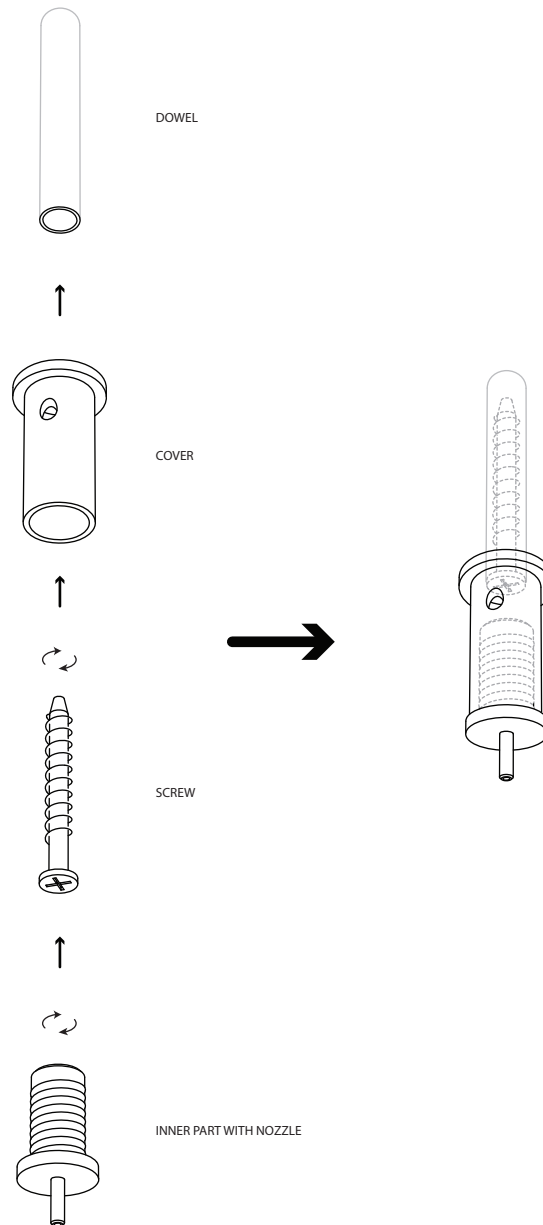
Guide the support cable through the tinny nozzle (A & B). Once reached the desired length of the cable let it go or pull the cable downwards and the fastener will automatically lock (C).

**EXTENDING THE CABLE (Step D)**

To extend the cable, push the little nozzle upwards/inside. The cable will loosen and allow to be pulled out. To lock position - release the nozzle and the fastener will automatically lock the cable (Step C).

CONTACT

**JSPR**  
T +31 (0) 402692111  
INFO@JSPR.EU  
WWW.JSPR.EU

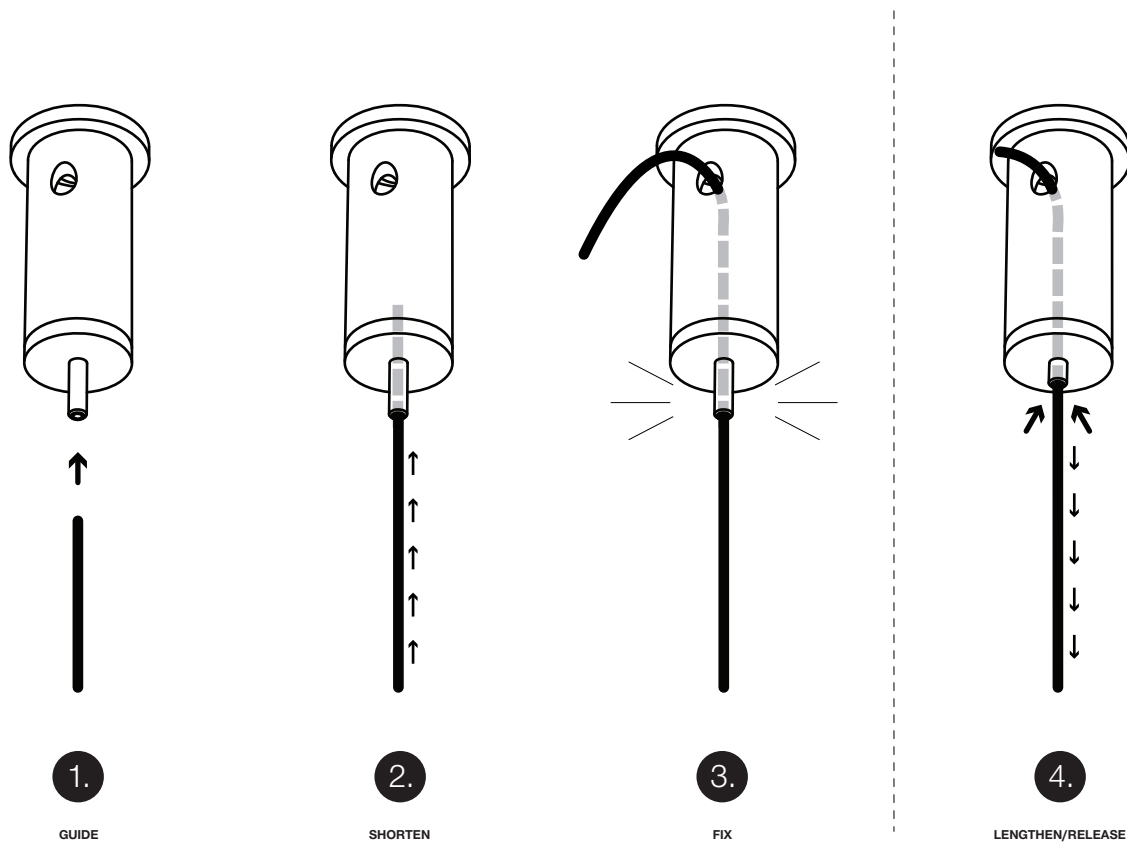


Drill hole in the desired location in the ceiling, place a dowel in the hole (dowel and screw by client). Fasten the cover of the cable fastener with a screw by guiding it through the cover into the dowel. Once the cover is fastened screw in the inner part of the cable fastener.

Proceed to the next page of this manual for information on using this cable fastener.

CONTACT

JSPR  
T +31 (0) 402692111  
INFO@JSPR.EU  
WWW.JSPR.EU



### GUIDING THE CABLE (Steps 1 - 3)

Once the cable fasteners are securely attached to the ceiling, guide the support cable through the tinny nozzle (1 & 2). Once reached the desired length of the cable let it go or pull cable downwards and the cable fastener will automatically lock (3).

### EXTENDING THE CABLE (Step 4)

To extend the cable, push the little nozzle upwards/inside, the cable will loosen and allow to be pulled out. To fix release the nozzle and the fastener will automatically lock the cable.

After achieving desired length of the lighting fixture trim any excess cables.

### CONTACT

JSPR  
 T +31 (0) 402692111  
 INFO@JSPR.EU  
 WWW.JSPR.EU