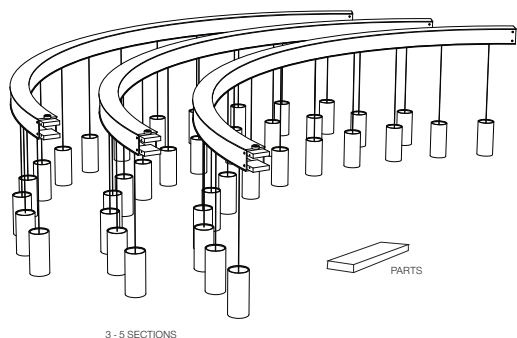
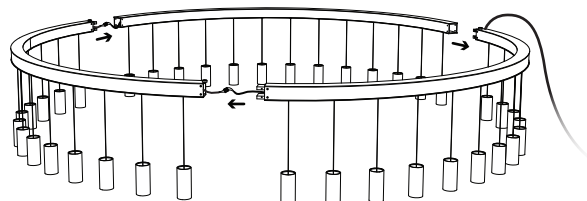


1.



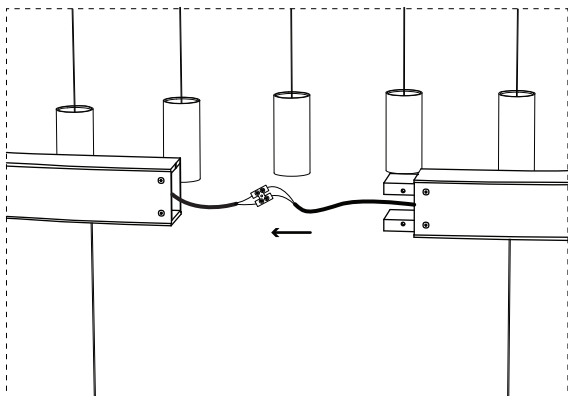
Prepare a soft clean workspace to assemble the light fixture. Carefully unpack the light fixture and other contents. Myllennia L consists of 3 separate sections and 3 suspension points. Myllennia XL consists of 5 separate sections and 5 suspension points. Assembly steps for both lamps are the same.

2.



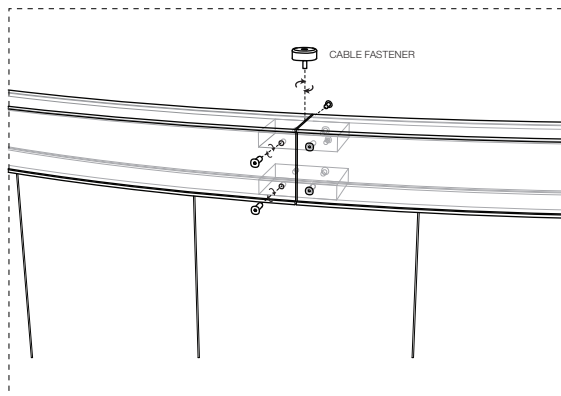
Align all sections in a circle starting with the first section that has the main electricity cable.

3.



Connect each sections electricity cables with connections blocks located in the lamp.

4.

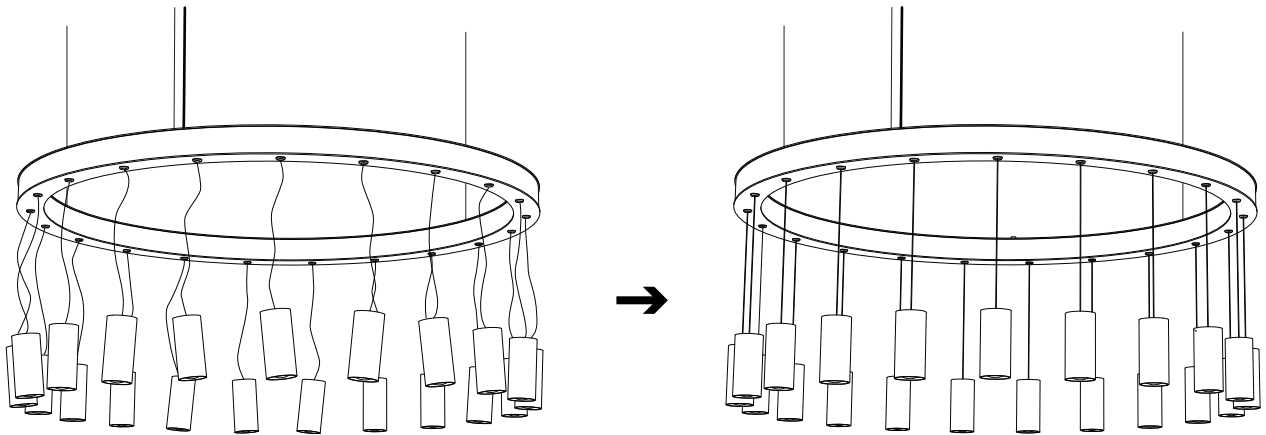


After connecting all electricity cables carefully slide all sections together and proceed with fixing the sections with provided screws. Afterwards screw all 3 (or 5) suspension cable fasteners in the connected points.

Proceed to Myllennia installation manual for hanging options.

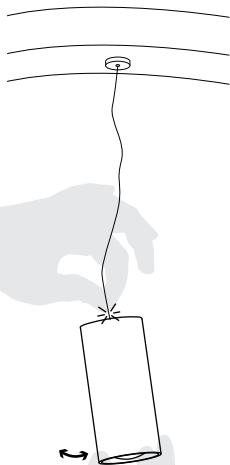
CONTACT

JSPR
 T +31 (0) 402692111
 INFO@JSPR.EU
 WWW.JSPR.EU



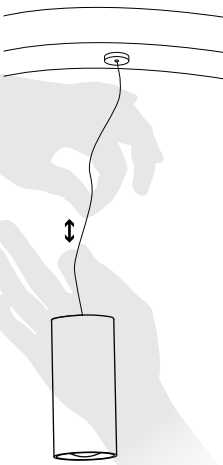
Each fixture is securely packaged for shipping, therefore it's possible that some pendant cables are crooked. After assembly and installation it's crucial to observe the pendant and straighten any crooked cables following the steps under. After a few weeks the pendants will completely straighten.

1.



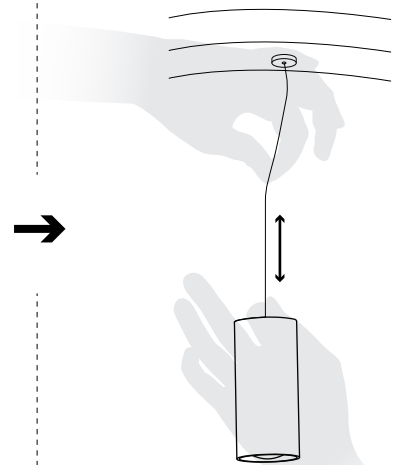
Hold the cable by the top of the pendant and twist until it's straight, do not pull by the cable to avoid damaging the fixture.

2.



Straighten the cable by holding the centre of the cable with both hands and pulling/straightening outwards till the fixture and pendant top.

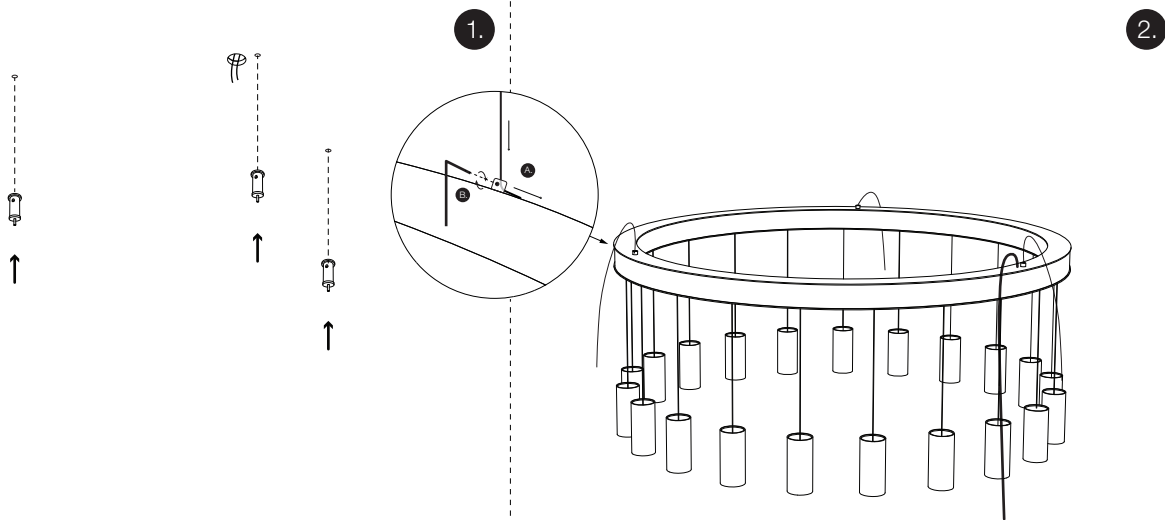
3.



Repeat these steps for all crooked pendants until they are straight.

CONTACT

JSPR
T +31 (0) 402692111
INFO@JSPR.EU
WWW.JSPR.EU

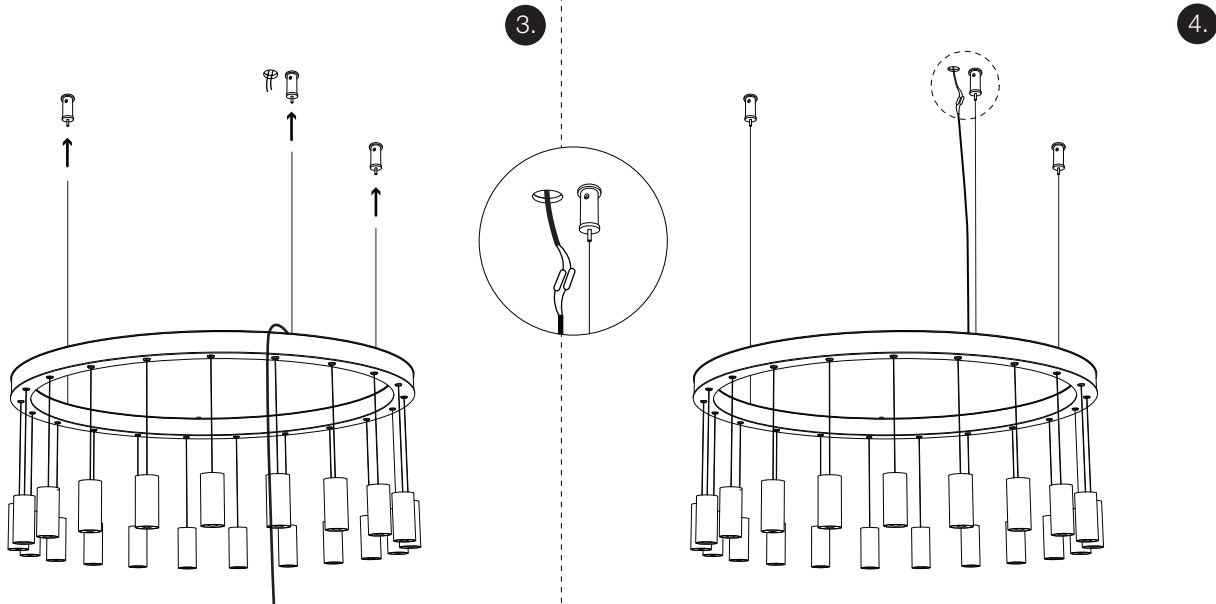


Mark and drill holes in the ceiling based on lamp measurements. Attach JSPR suspension cable fasteners near the house electricity wire.

NOTE: Detailed installation and use of our ceiling suspension cable fasteners is enclosed in this document.

Carefully unwrap the lamp. Locate the 3 (5 for Myllennia XL) cable fasteners on the top of the lamp. Uncoil the provided suspension cables and guide them through the top of each fastener (A). Fasten the cable using a hex key (B).

NOTE: Make sure to tighten the fasteners very well to avoid any damage. Trim any excess cables.



Guide the lamps suspension cables through the pre-mounted ceiling fasteners until desired length is achieved.

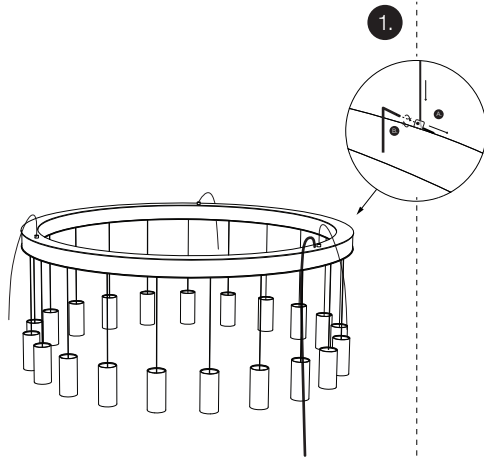
Trim any excess cables.

Shorten the electric wire and connect it to the house wire. Tuck away any excess wires.

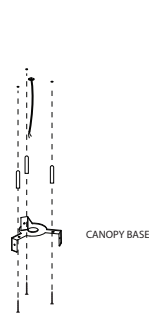
Ideal for drop ceilings.

CONTACT

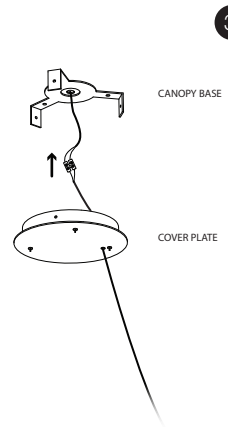
JSPR
 T +31 (0) 402692111
 INFO@JSPR.EU
 WWW.JSPR.EU



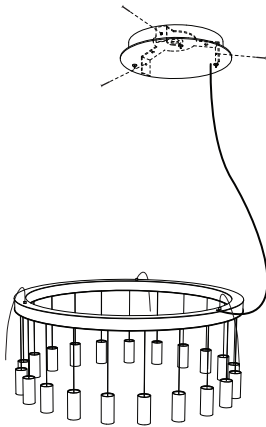
Carefully unwrap the lamp. Locate the 3 cable fasteners on the top of the lamp. Uncoil provided suspension cables and guide them through the top of each fastener (**A**). Fasten the cable using a hex key (**B**). Make sure to tighten the fasteners very well to avoid any damage. Trim any excess cables.



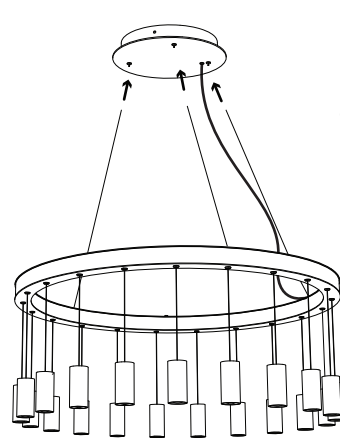
Mark holes in the ceiling near the house electricity wire, based on the canopy size. Pull through the house electricity wire and attach canopy base plate using screws and dowels (by client).



Shorten the lamps electricity wire approximately the desired length leaving extra length for adjustments. Connect house electricity wire to lamp electricity wire using a connection block.

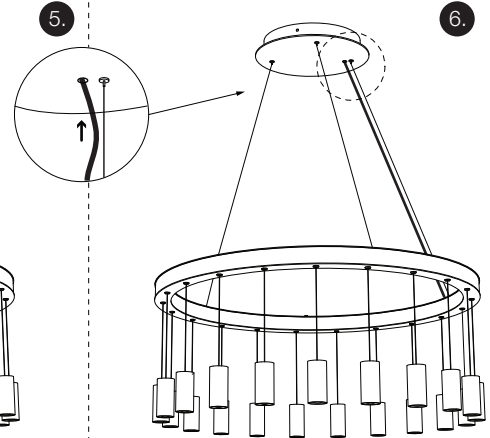


Fix the cover plate to the pre-mounted canopy base with three provided screws.



Locate the 3 suspension cables on the top of the lamp, guide the other end of each cable through the cable fasteners on the canopy. Adjust the length and angle to achieve the desired composition.

NOTE: Canopy cable fasteners work the same way as our individual ceiling fasteners. Manual for their use is enclosed in this document.



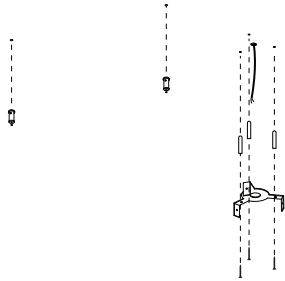
After achieving the desired length and angle for the lamp, tuck away any excess cables in the canopy.

NOTE: Canopy can be used to store dimmers, drivers etc.

CONTACT

JSPR
T +31 (0) 402692111
INFO@JSPR.EU
WWW.JSPR.EU

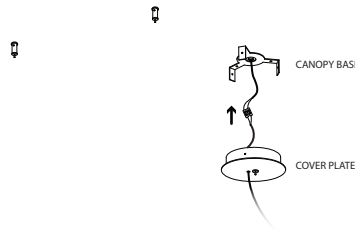
1.



Mark and drill holes in the ceiling near the house electricity wire, based on canopy size. Attach canopy base plate and 3 (5 for Myllennia XL) suspension fasteners using screws and dowels (by client).

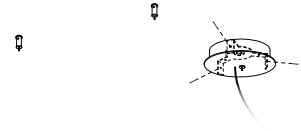
NOTE: detailed information on mounting and using our suspension cable fasteners and canopies is enclosed in this document.

2.



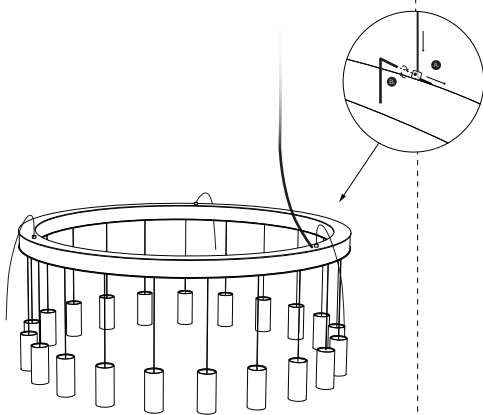
Carefully unwrap the light fixture. shorten the lamps electricity wire approximately the desired length leaving extra length. Pull the lamp electricity wire through the cover plate and connect house electricity wire to lamp electricity wire using a connection block.

3.



Align and fix the cover plate to the pre-mounted canopy base with three provided screws.

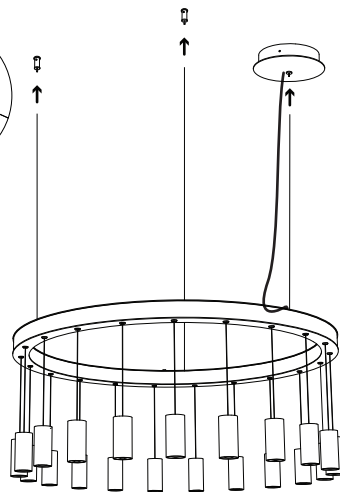
4.



Locate the 3 (5 for Myllennia XL) cable fasteners on the top of the lamp. Uncoil provided suspension cables and guide them through the **top** of each fastener **(A)**. Fasten the cable using a hex key **(B)**.

NOTE: Make sure to tighten the fasteners very well to avoid any damage. Trim any excess cables.

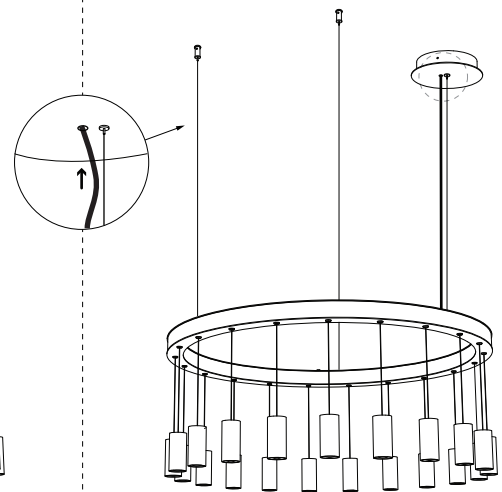
5.



Once the suspension cables are securely fastened to the lamp, guide the other end of each cable through the cable fastener nozzles.

NOTE: Canopy cable fasteners work the same way as our individual ceiling cable fasteners. Manual for their use is enclosed in this document.

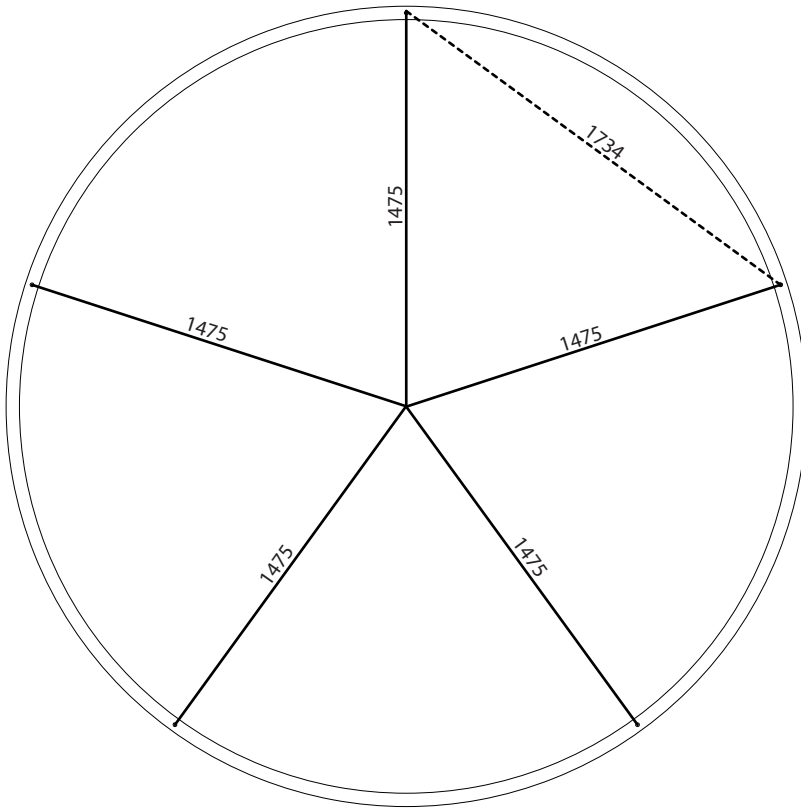
6.



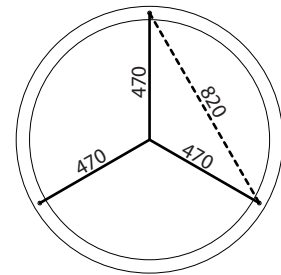
Adjust the level or angle of the lamp with the fasteners until the desired composition is achieved. Tuck away any excess electricity wire in the canopy. Trim any excess suspension cables. Fixture is ready to use.

CONTACT

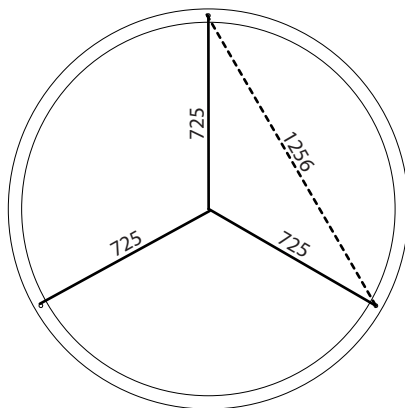
JSPR
T +31 (0) 402692111
INFO@JSPR.EU
WWW.JSPR.EU



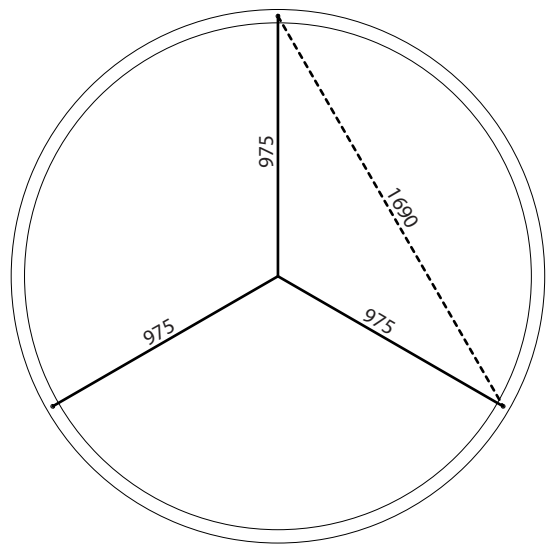
MYLENNIA XL
diameter 3000 mm
5 suspension points



MYLENNIA S
diameter 1000 mm
3 suspension points



MYLENNIA M
diameter 1500 mm
3 suspension points

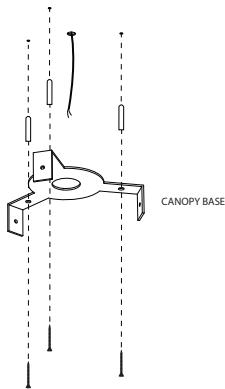


MYLENNIA L
diameter 2000 mm
3 suspension points

CONTACT

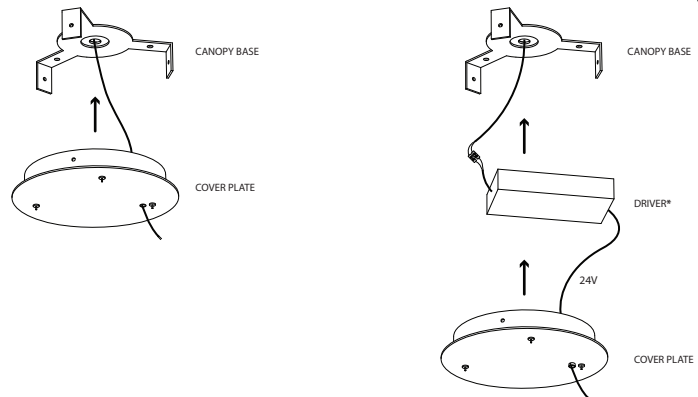
JSPR
T +31 (0) 402692111
INFO@JSPR.EU
WWW.JSPR.EU

1.



Mark holes in the ceiling based on canopy measurements. Attach canopy base plate using screws and plugs (by client).

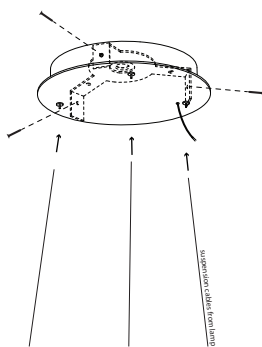
2.



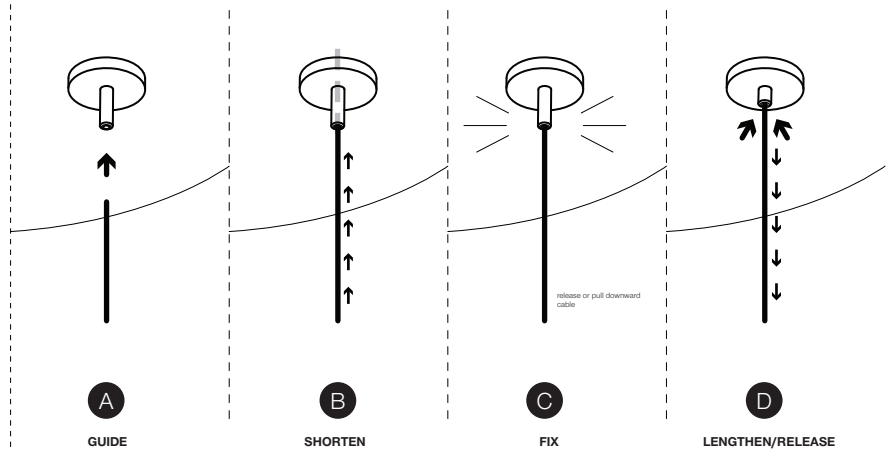
ASSEMBLY WITHOUT DRIVER
Pull through cover plate the house electricity cable or connect the lamps electric cable (through cover plate) to the house electricity wire.

ASSEMBLY WITH DRIVER*
Connect the transformer/driver (220V/110V to 24V*) to the house electric wire. Pull the low voltage wire coming from the transformer through the canopy cover plate.
* depending on lamp

3.



Fix cover plate to the base plate with three included screws. Once tightly fixed proceed to hanging the lamp by guiding the lamps suspension cables through the little nozzles.



GUIDING THE CABLE (Steps A; B; C)

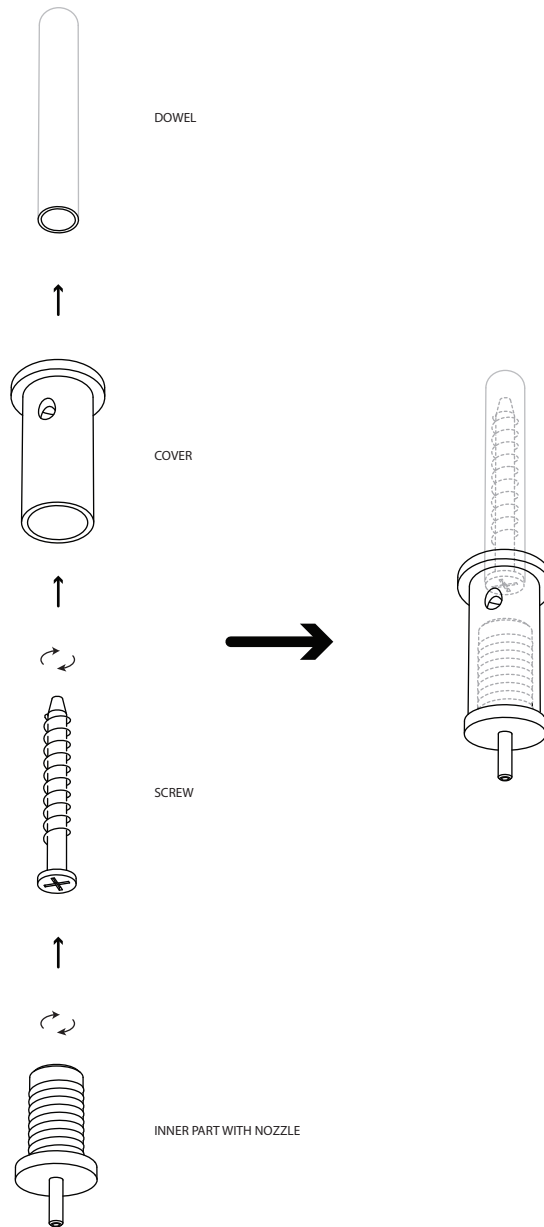
Guide the support cable through the tinny nozzle (A & B). Once reached the desired length of the cable let it go or pull the cable downwards and the fastener will automatically lock (C).

EXTENDING THE CABLE (Step D)

To extend the cable, push the little nozzle upwards/inside. The cable will loosen and allow to be pulled out. To lock position - release the nozzle and the fastener will automatically lock the cable (Step C).

CONTACT

JSPR
T +31 (0) 402692111
INFO@JSPR.EU
WWW.JSPR.EU

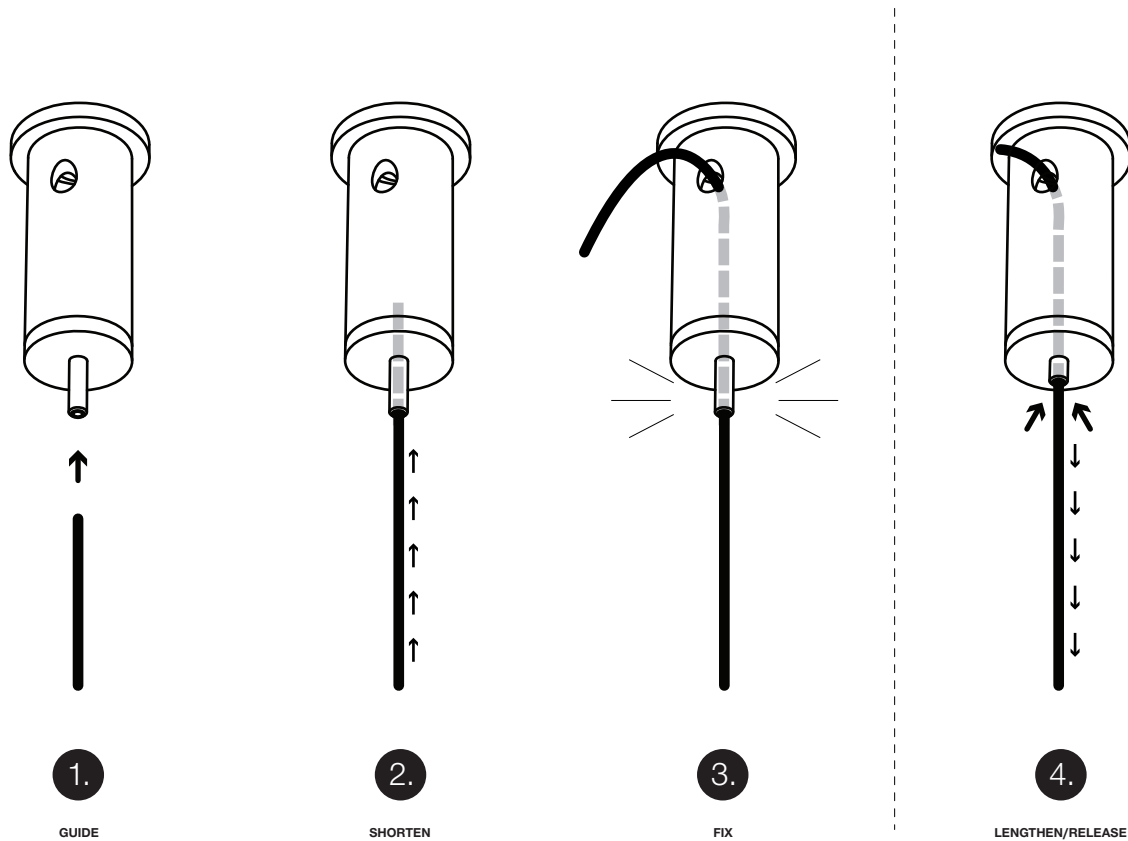


Drill hole in the desired location in the ceiling, place a dowel in the hole (dowel and screw by client). Fasten the cover of the cable fastener with a screw by guiding it through the cover into the dowel. Once the cover is fastened screw in the inner part of the cable fastener.

Proceed to the next page of this manual for information on using this cable fastener.

CONTACT

JSPR
T +31 (0) 402692111
INFO@JSPR.EU
WWW.JSPR.EU



GUIDING THE CABLE (Steps 1 - 3)

Once the cable fasteners are securely attached to the ceiling, guide the support cable through the tinny nozzle (1 & 2). Once reached the desired length of the cable let it go or pull cable downwards and the cable fastener will automatically lock (3).

EXTENDING THE CABLE (Step 4)

To extend the cable, push the little nozzle upwards/inside, the cable will loosen and allow to be pulled out. To fix release the nozzle and the fastener will automatically lock the cable.

After achieving desired length of the lighting fixture trim any excess cables.

CONTACT

JSPR
 T +31 (0) 402692111
 INFO@JSPR.EU
 WWW.JSPR.EU