

DETAILED INFORMATION

LIGHTING

LED STRIP 2700k 12V 50W 3000lm DOWNWARDS | 2500lm SIDEWAYS*

VOLTAGE

230 V / 110 V / 12 V

USAGE

INDOOR

SAFETY STANDARDS



DRIVER

ON REQUEST, DEPENDS ON DIMMING SYSTEM

DIMMING

0 - 10V, DALI, CONVENTIONAL / PHASE CUT, REMOTE CONTROL

CANOPY

NOT INCLUDED / SOLD SEPARATELY

REMARKS

3 METER TEXTILE ELECTRICITY CABLE AND 3 METER LONG SUPPORT WIRES.

CUSTOM LENGTHS ON REQUEST

MATERIAL

ALUMINUM FRAME, NYLON ELECTRICITY CABLE & STAINLESS STEEL

SUPPORT WIRE.

COLOR

AVAILABLE IN ANODISED BLACK, BRONZE, GOLD, CHAMPAGNE AND SILVER

CUSTOM COLORS ON REQUEST.

SIZE & WEIGHT

HEIGHT 140 MM - DIAMETER 1075 MM - WEIGHT 5.0 KG

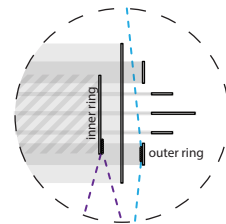
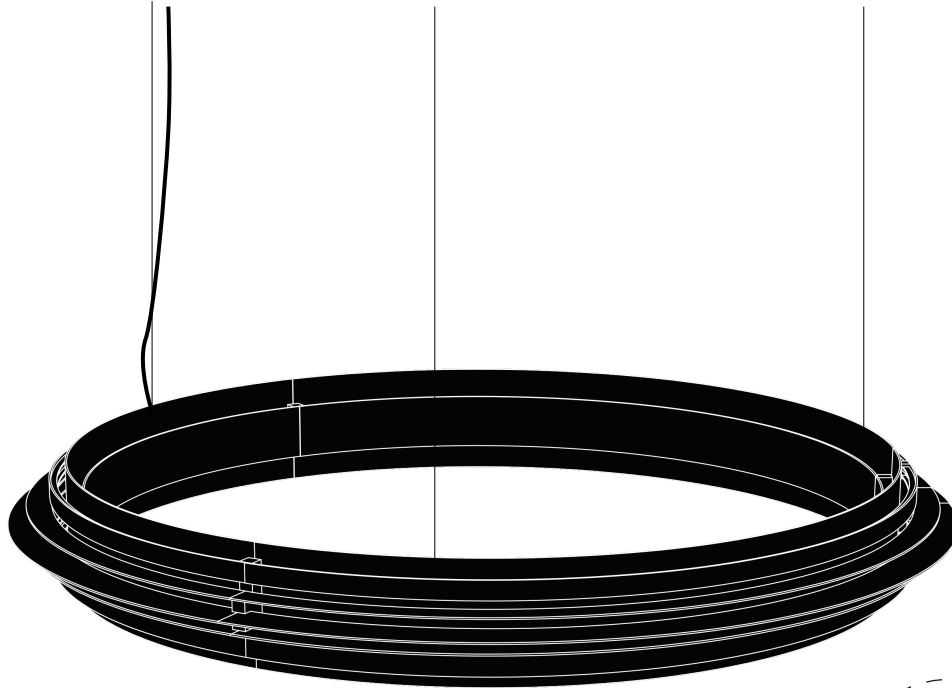
NOTES

CANOPY & DRIVER AVAILABLE SEPARATELY. FURTHER CUSTOMIZATION ON REQUEST.

* THE SIDEWAYS REFLECTION LUMEN IS DEPENDING ON THE FIXTURES COLOUR

CONTACT

JSPR
T +31 (0) 402692111
INFO@JSPR.EU
WWW.JSPR.EU



LIGHT DISTRIBUTION
cross section / side view

DETAILED INFORMATION

LIGHTING

LED STRIP 2700k 12V 50W 3000lm DOWNWARDS | 2500lm SIDEWAYS*

VOLTAGE

230 V / 110 V / 12 V

USAGE

INDOOR

SAFETY STANDARDS



DRIVER

ON REQUEST, DEPENDS ON DIMMING SYSTEM

DIMMING

0 - 10V, DALI, CONVENTIONAL / PHASE CUT, REMOTE CONTROL

CANOPY

NOT INCLUDED / SOLD SEPARATELY

REMARKS

3 METER TEXTILE ELECTRICITY CABLE AND 3 METER LONG SUPPORT WIRES.

CUSTOM LENGTHS ON REQUEST

MATERIAL

ALUMINUM FRAME, NYLON ELECTRICITY WIRE & STAINLESS STEEL

SUPPORT WIRE.

COLOR

AVAILABLE IN ANODISED BLACK, BRONZE, GOLD, CHAMPAGNE AND SILVER

CUSTOM COLORS ON REQUEST.

SIZE & WEIGHT

HEIGHT 140 MM - DIAMETER 1140 MM - WEIGHT 5.0 KG

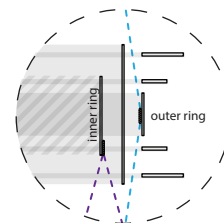
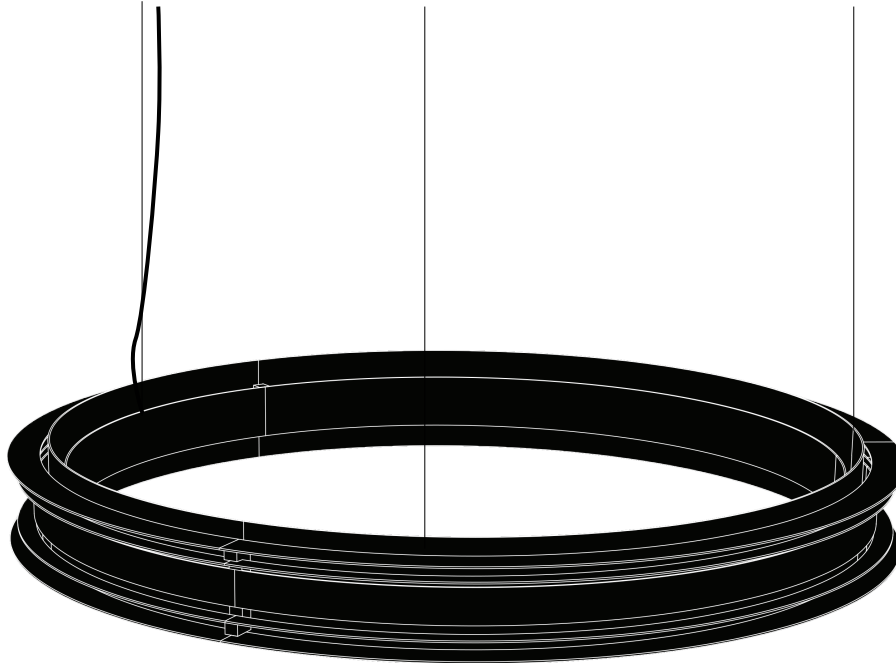
NOTES

CANOPY & DRIVER AVAILABLE SEPARATELY. FURTHER CUSTOMIZATION ON REQUEST.

* THE SIDEWAYS REFLECTION LUMEN IS DEPENDING ON THE FIXTURES COLOUR

CONTACT

JSPR
T +31 (0) 402692111
INFO@JSPR.EU
WWW.JSPR.EU



LIGHT DISTRIBUTION
cross section / side view

DETAILED INFORMATION

LIGHTING

LED STRIP 2700k 12V 50W 3000lm DOWNWARDS | 2500lm SIDEWAYS*

VOLTAGE

230 V / 110 V / 12 V

USAGE

INDOOR

SAFETY STANDARDS



DRIVER

ON REQUEST, DEPENDS ON DIMMING SYSTEM

DIMMING

0 - 10V, DALI, CONVENTIONAL / PHASE CUT, REMOTE CONTROL

CANOPY

NOT INCLUDED / SOLD SEPARATELY

REMARKS

3 METER TEXTILE ELECTRICITY CABLE AND 3 METER LONG SUPPORT WIRES.
CUSTOM LENGTHS ON REQUEST

MATERIAL

ALUMINUM FRAME, NYLON ELECTRICITY WIRE & STAINLESS STEEL
SUPPORT WIRE.

COLOR

AVAILABLE IN ANODISED BLACK, BRONZE, GOLD, CHAMPAGNE AND SILVER
CUSTOM COLORS ON REQUEST.

SIZE & WEIGHT

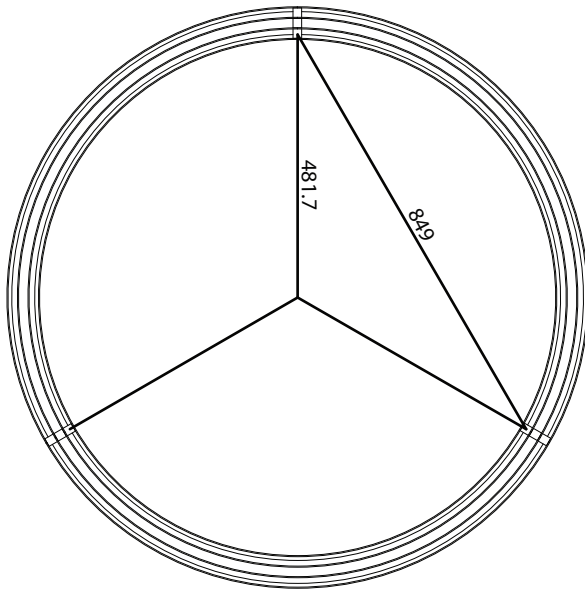
HEIGHT 140 MM - DIAMETER 1100 MM - WEIGHT 5.0 KG

NOTES

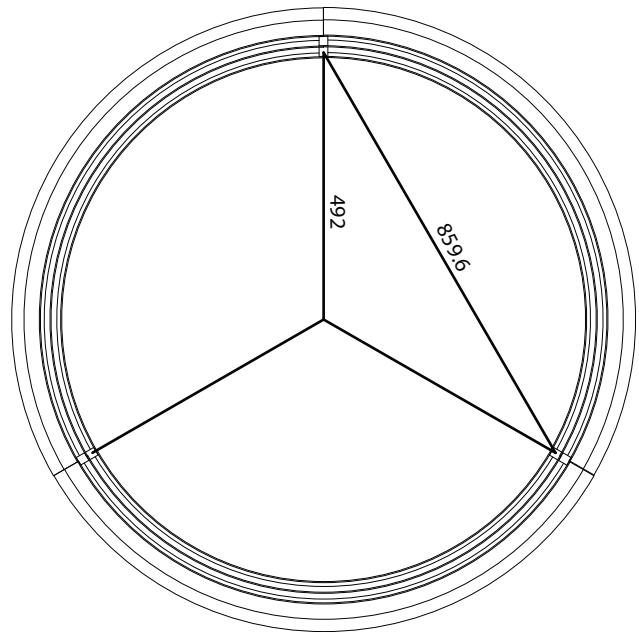
CANOPY & DRIVER AVAILABLE SEPARATELY. FURTHER CUSTOMIZATION ON REQUEST.
* THE SIDEWAYS REFLECTION LUMEN IS DEPENDING ON THE FIXTURES COLOUR

CONTACT

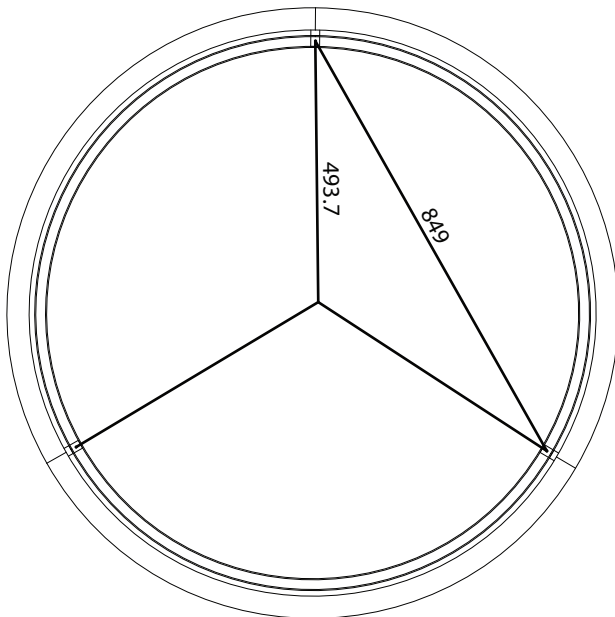
JSPR
T +31 (0) 402692111
INFO@JSPR.EU
WWW.JSPR.EU



EMPIRE I



EMPIRE II



EMPIRE III

CONTACT

JSPR
T +31 (0) 402692111
INFO@JSPR.EU
WWW.JSPR.EU