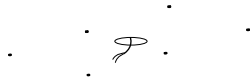


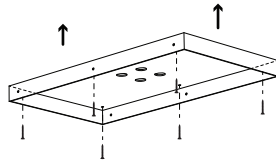
1.



Mark holes in the ceiling based on the base plate size.

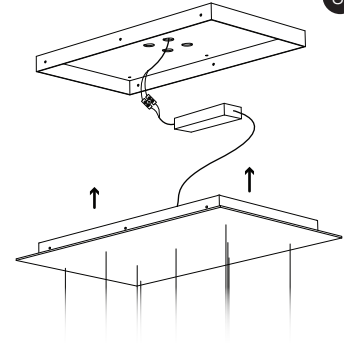
NOTE: all base plate measurements are enclosed in the next pages.

2.



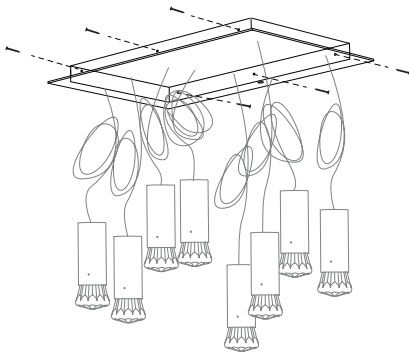
Attach the base plate to the ceiling with dowels and screws (by client). Pull electric house wire through any of the center holes.

3.



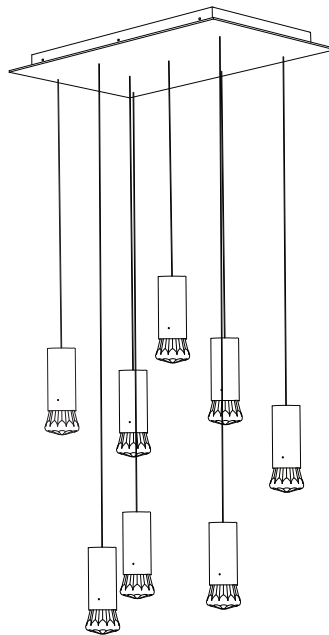
Connect a transformer (24V/230 V/110 V) to the electricity network and place the cover plate over the base plate, tucking wires and transformer inside.

4.



Attach cover plate to the base plate with 6 screws (provided).

5.



Carefully uncoil each pendant and remove packaging protecting the lamps.

CONTACT

JSPR
T +31 (0) 402692111
INFO@JSPR.EU
WWW.JSPR.EU

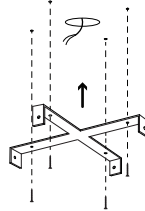
1.



Mark holes in the ceiling based on the base plate size.

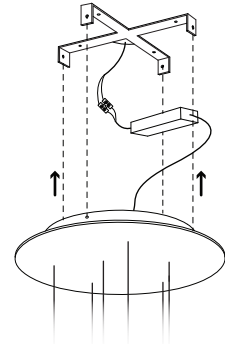
NOTE: all base plate measurements are included in the next pages.

2.



Attach the base plate to the ceiling with dowels and screws (by client). Pull electric house wire through any of the center holes.

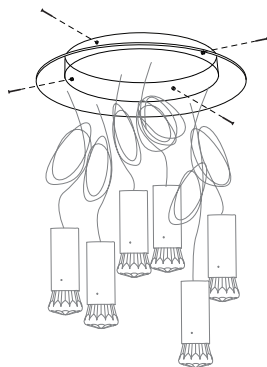
3.



Connect a transformer (24V/230 V/110 V)* to the electricity network and place the cover plate over the base plate, tucking wires and transformer inside.

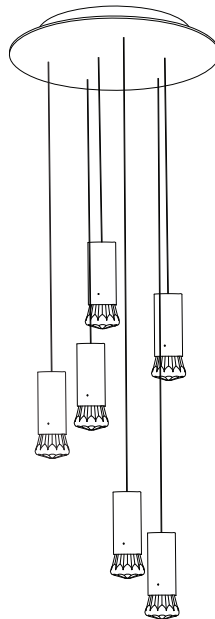
* depending on selected option

4.



Attach cover plate to the base plate with 6 screws (provided).

5.

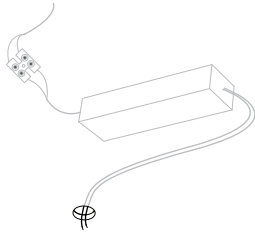


Carefully uncoil each pendant and remove packaging protecting the lamps.

6.

CONTACT

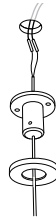
JSPR
T +31 (0) 402692111
INFO@JSPR.EU
WWW.JSPR.EU



1.

Drill 10 mm hole in the ceiling and pull through low voltage wires.

NOTE: This low voltage wire will come from a transformer which is connected to house electric wire.



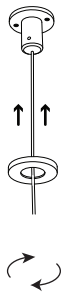
2.

Carefully uncoil the pendant cables. Connect pendant to the low voltage house wire. To simplify the installation use splices and heat shrink.



3.

Tuck wires inside the hole and secure the jack socket to the ceiling with screws (provided).



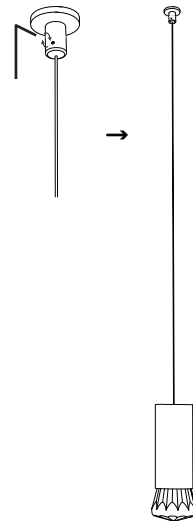
4.

Screw on the cover ring.



5.

Create desired pendant length by carefully pushing or pulling the cable through.

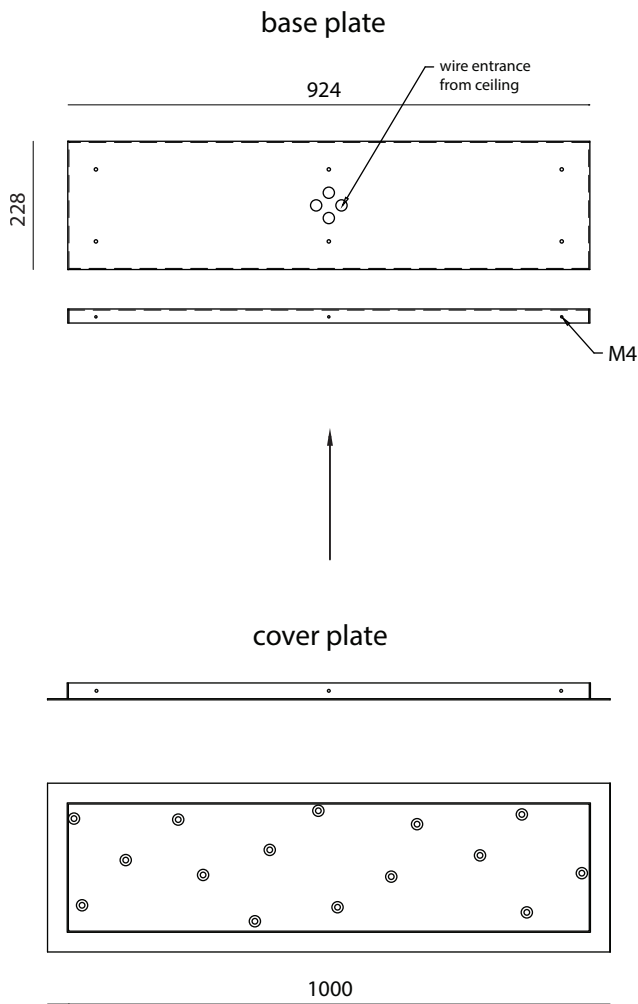


6.

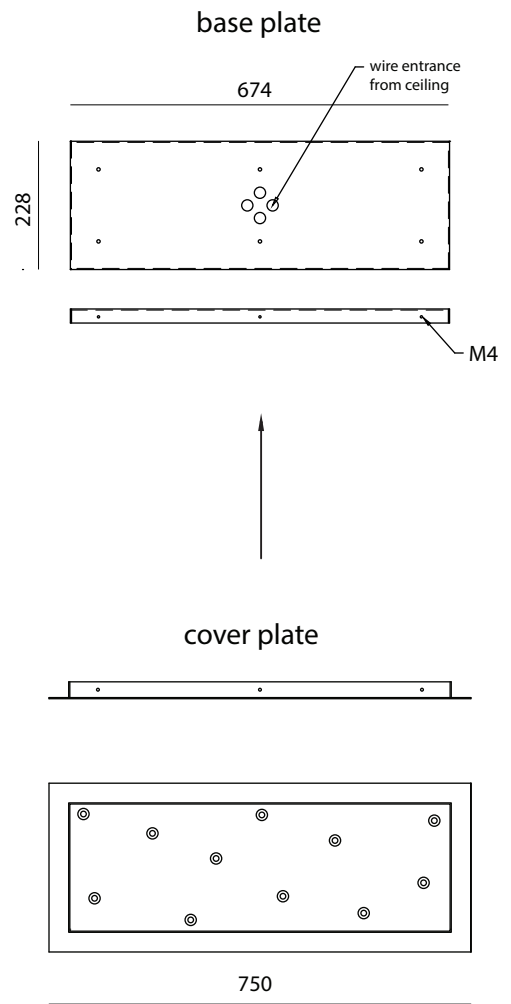
Once the desired length is created tighten the cable using a hex key. Be careful not to tighten it too much which might cause shortage and damage the pendant.

CONTACT

JSPR
T +31 (0) 402692111
INFO@JSPR.EU
WWW.JSPR.EU



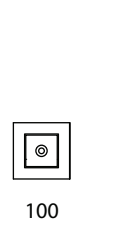
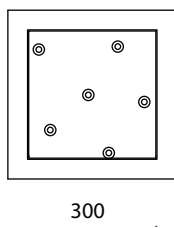
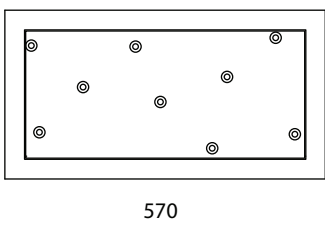
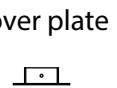
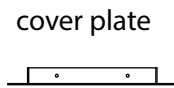
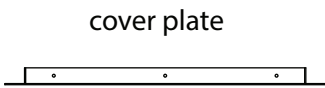
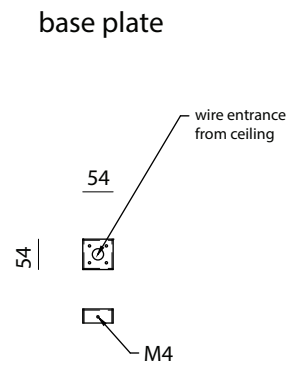
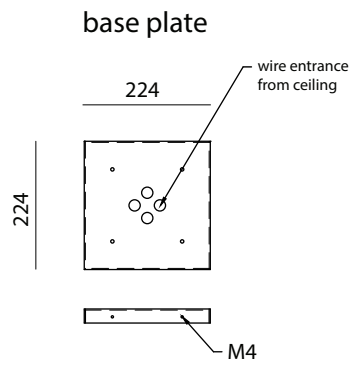
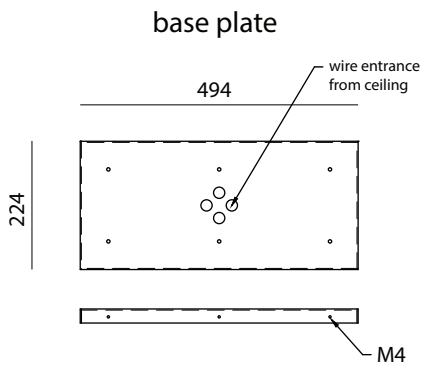
CEILING PLATE
(15 pendants)



CEILING PLATE
(11 pendants)

CONTACT

JSPR
T +31 (0) 402692111
INFO@JSPR.EU
WWW.JSPR.EU



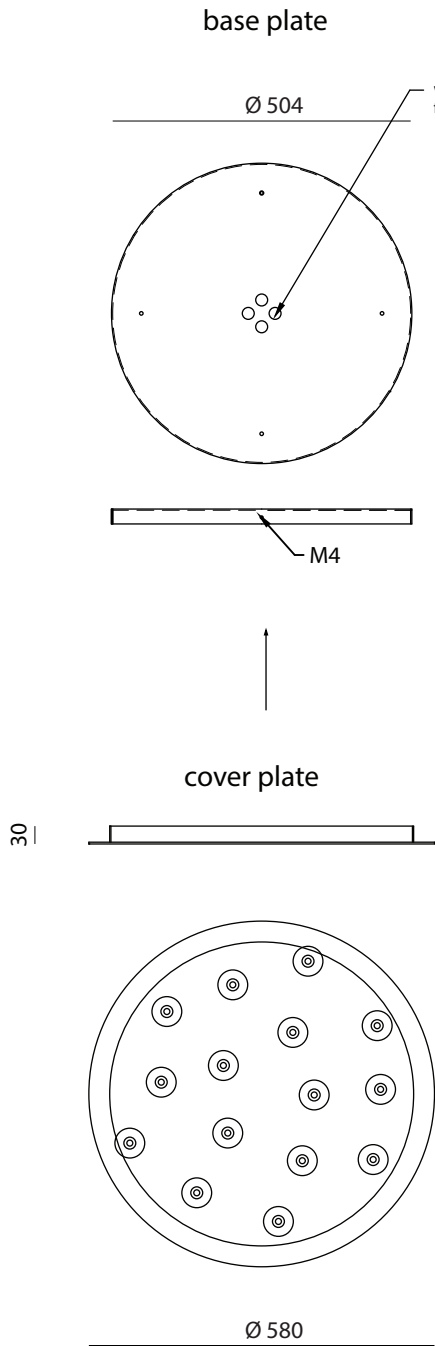
CEILING PLATE
(9 pendants)

CEILING PLATE
(6 pendants)

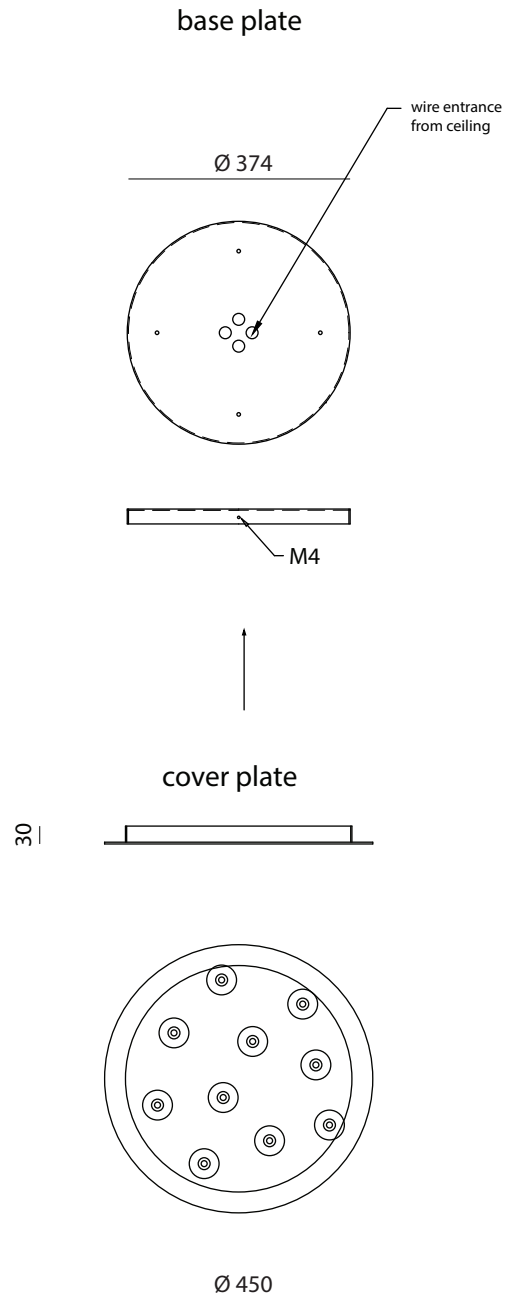
CEILING PLATE
(1 pendant)

CONTACT

JSPR
T +31 (0) 402692111
INFO@JSPR.EU
WWW.JSPR.EU



CEILING PLATE
(15 pendants)

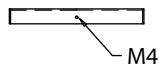
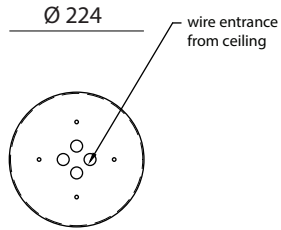


CEILING PLATE
(11 pendants)

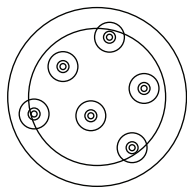
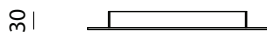
CONTACT

JSPR
T +31 (0) 402692111
INFO@JSPR.EU
WWW.JSPR.EU

base plate



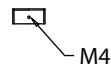
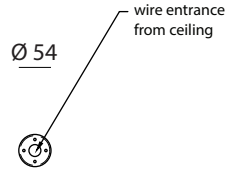
cover plate



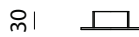
Ø 300

CEILING PLATE
(6 pendants)

base plate



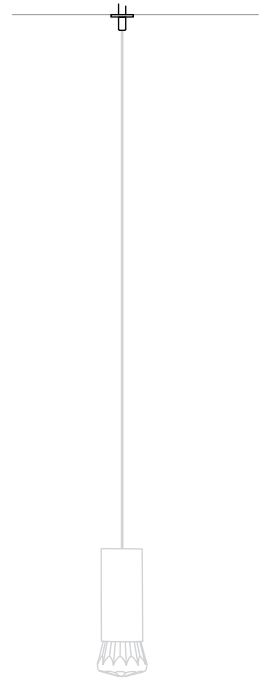
cover plate



Ø 100

CEILING PLATE
(1 pendant)

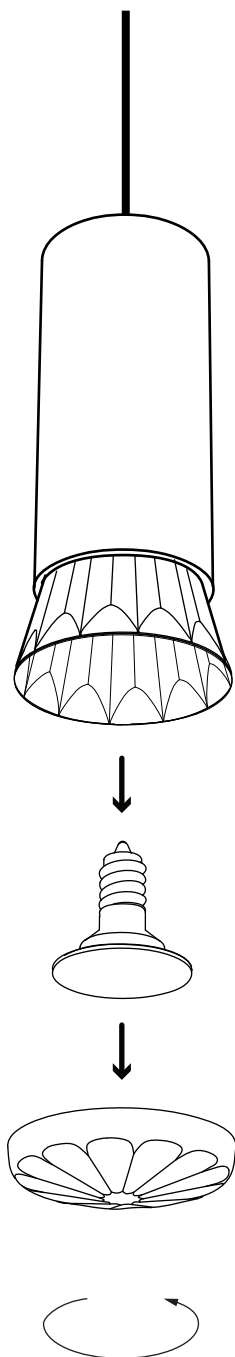
Ø 26



DOT
CONNECTION

CONTACT

JSPR
T +31 (0) 402692111
INFO@JSPR.EU
WWW.JSPR.EU



Gently unscrew the top cap and replace LED/bulb.

Fitting : E14

CONTACT

JSPR
T +31 (0) 402692111
INFO@JSPR.EU
WWW.JSPR.EU